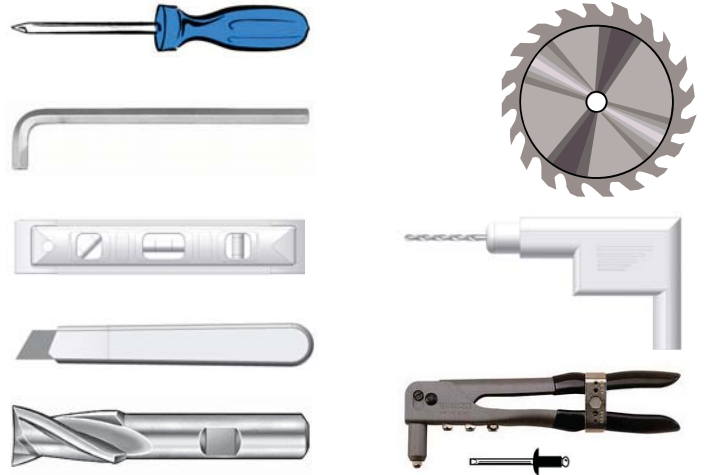


Pass door System for
fingersafe panels



INSTALLATION GUIDE installation conditions

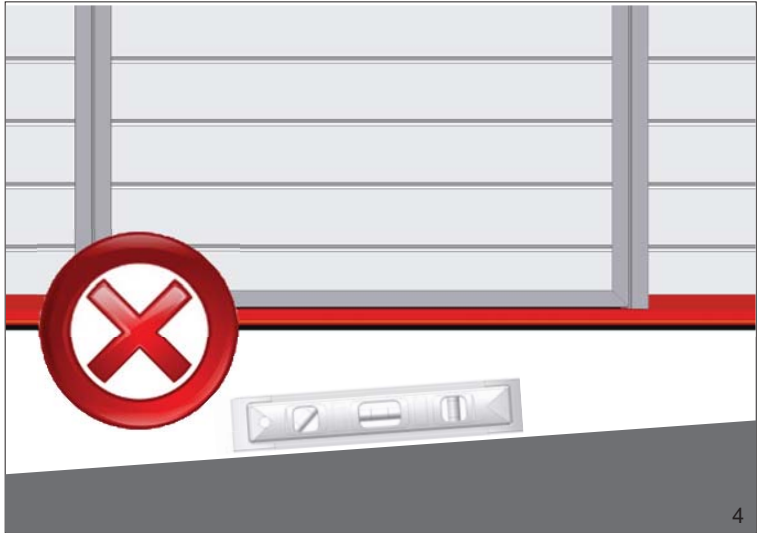
1



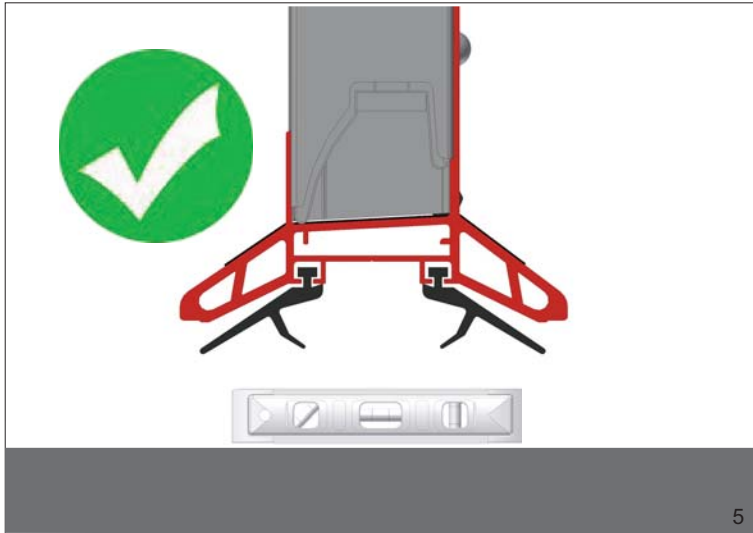
2



3



4

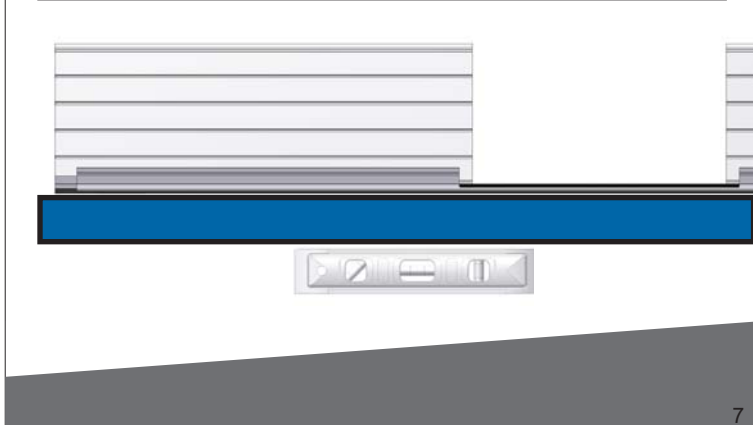


5

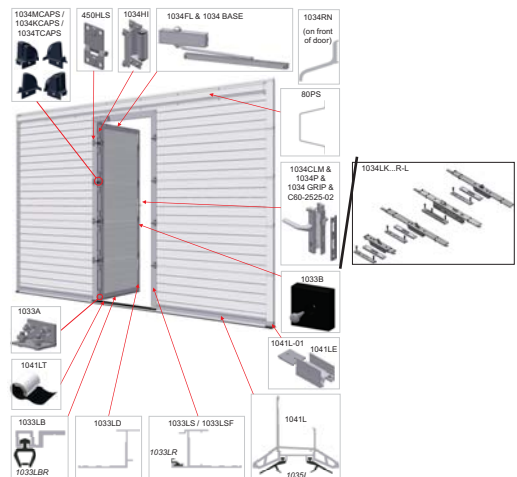


6

The threshold has to lay level. Floor not level? Use a box beam to create a level surface to build up the door.

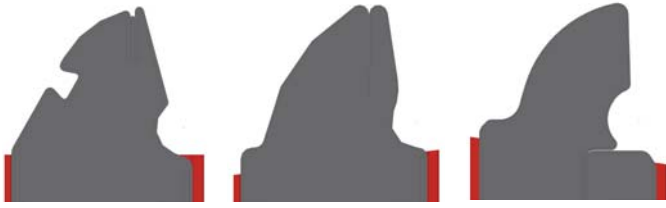


7



8

Suited panels.

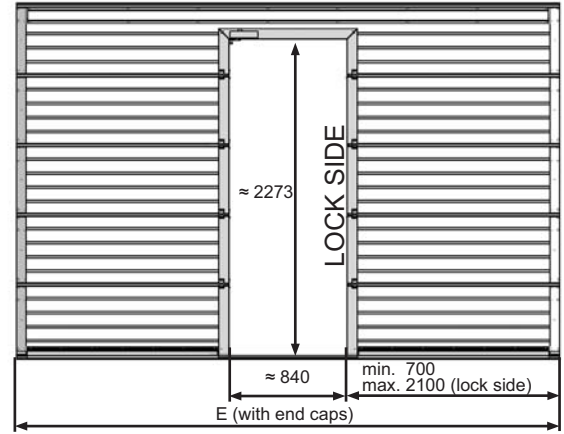


Kingspan/
Epco R-series

Metecno

Thyssen

This manual is based on these dimensions:



This manual is based on a RIGHT HANDED DOOR.

RIGHT HANDED DOOR

LEFT HANDED DOOR



SafeStep®

Pass door System for
fingersafe panels



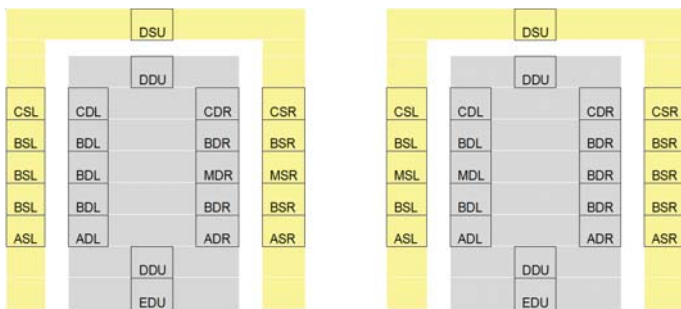
INSTALLATION GUIDE

assembling

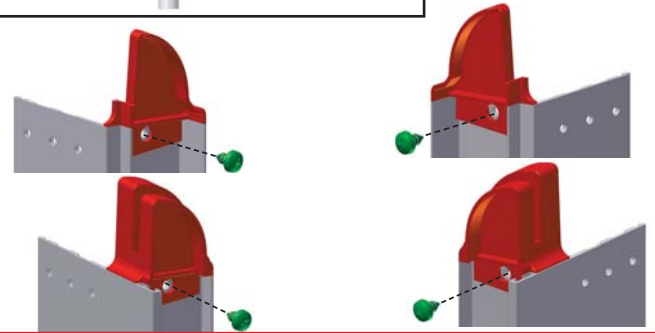
CONFIGURATION OF DOOR PROFILES

KIT right handed door

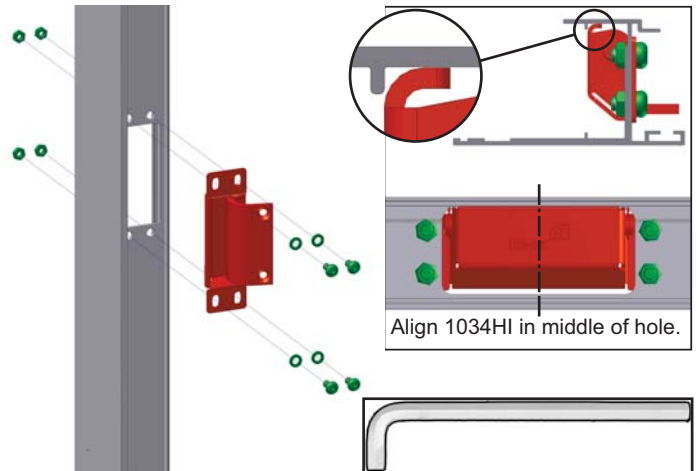
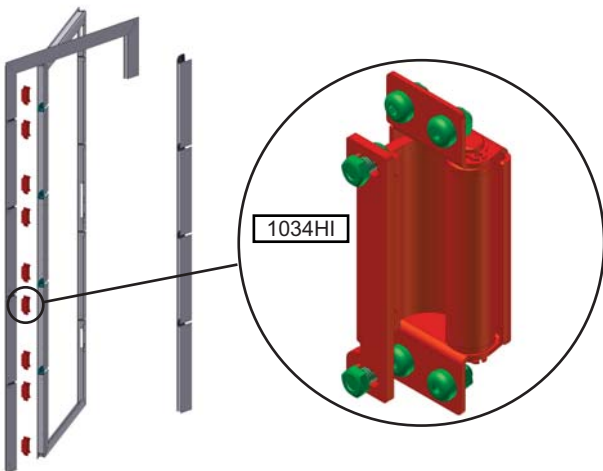
KIT left handed door

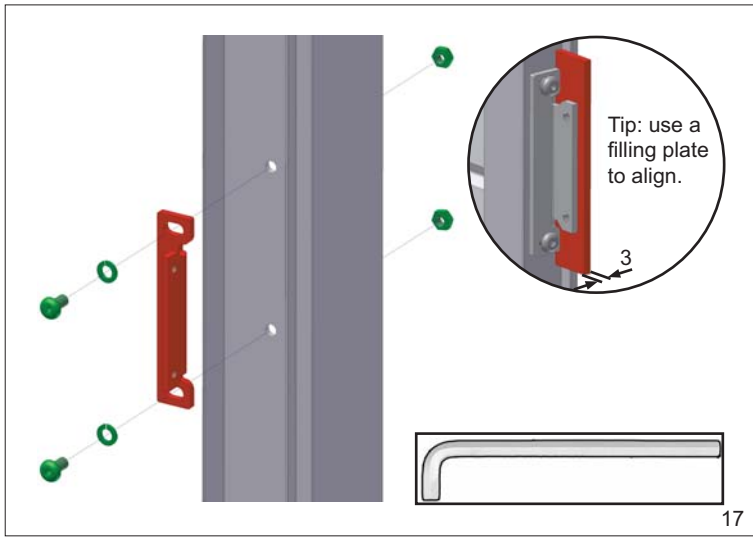


See SafeStep® Production Guidelines for profile details.

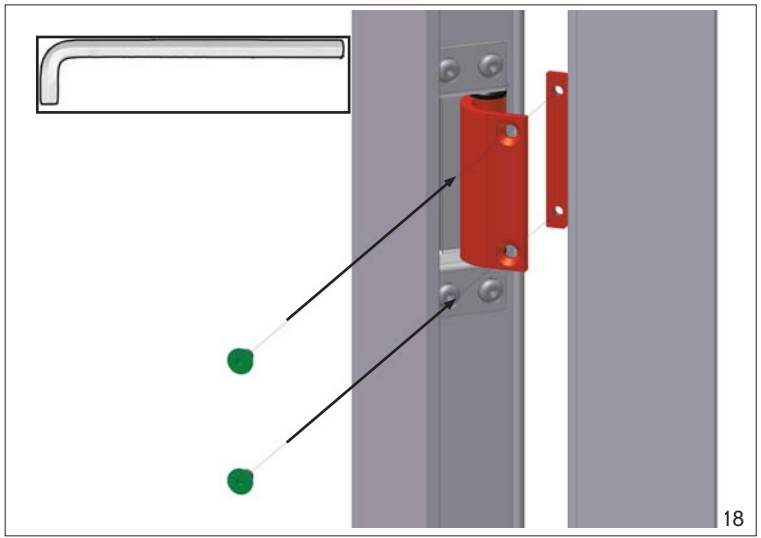


Using Multi Point Lock? See SafeStep® Multi Point Lock Guidelines.

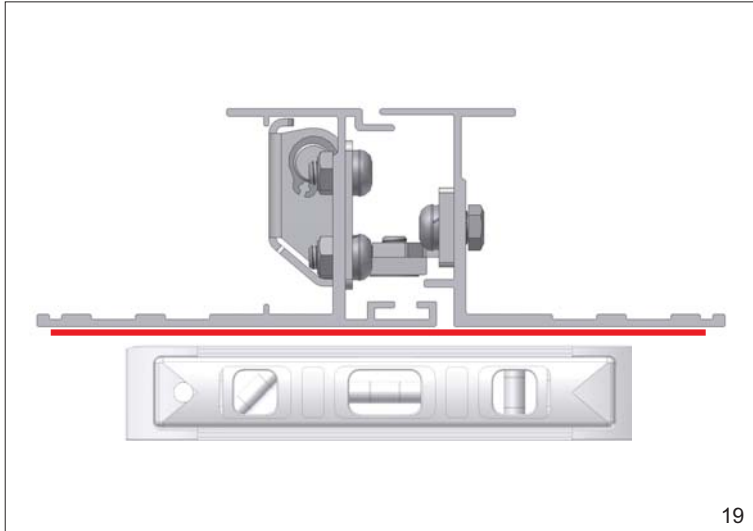




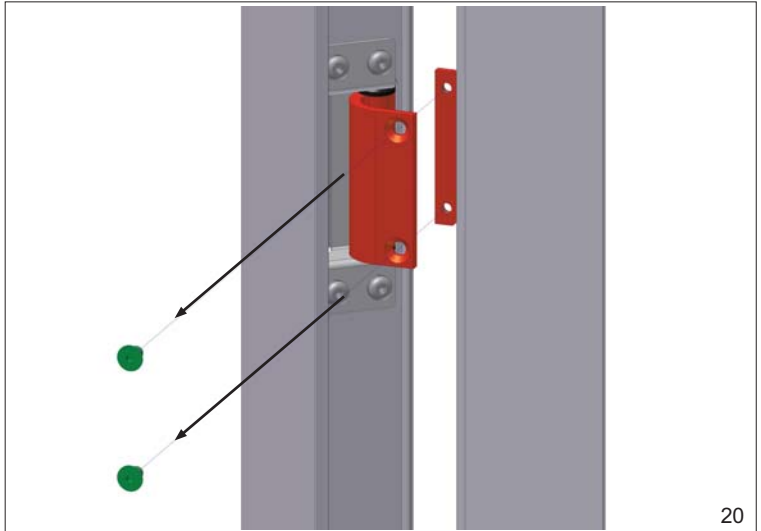
17



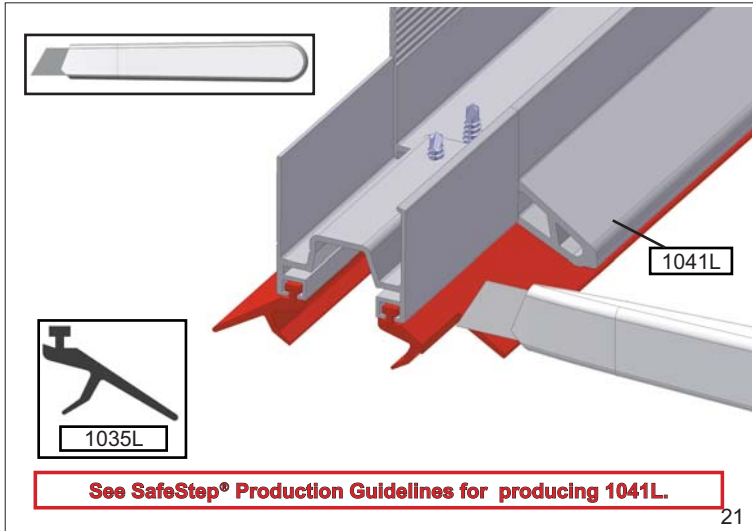
18



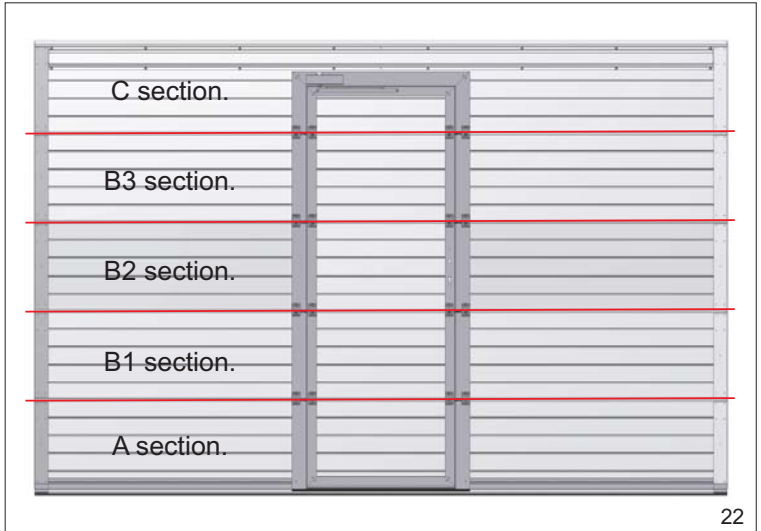
19



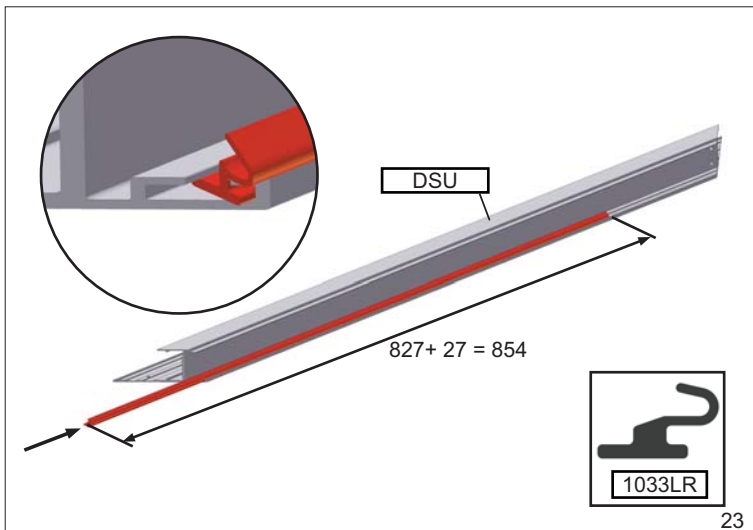
20



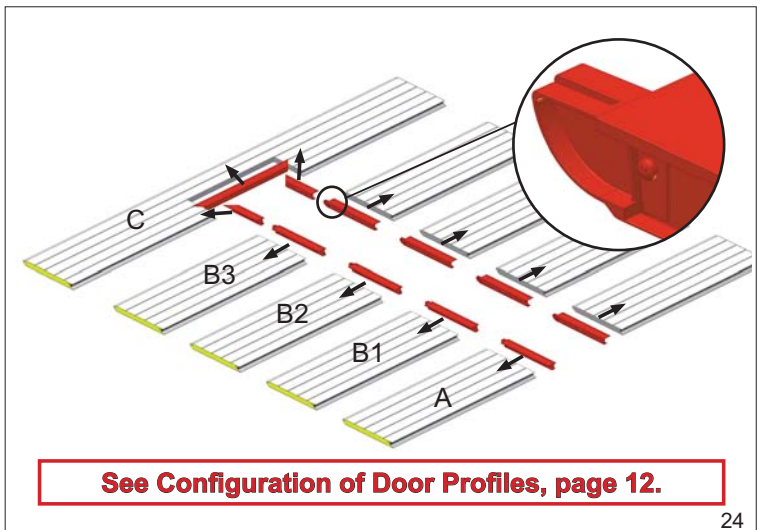
21



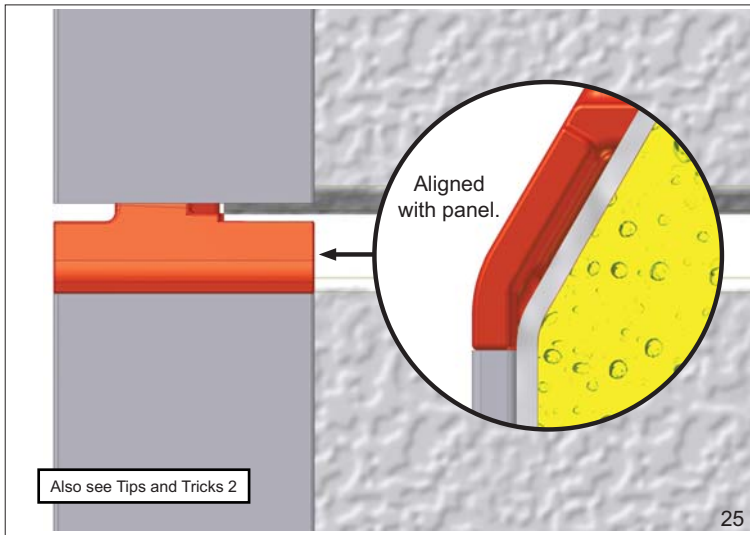
22



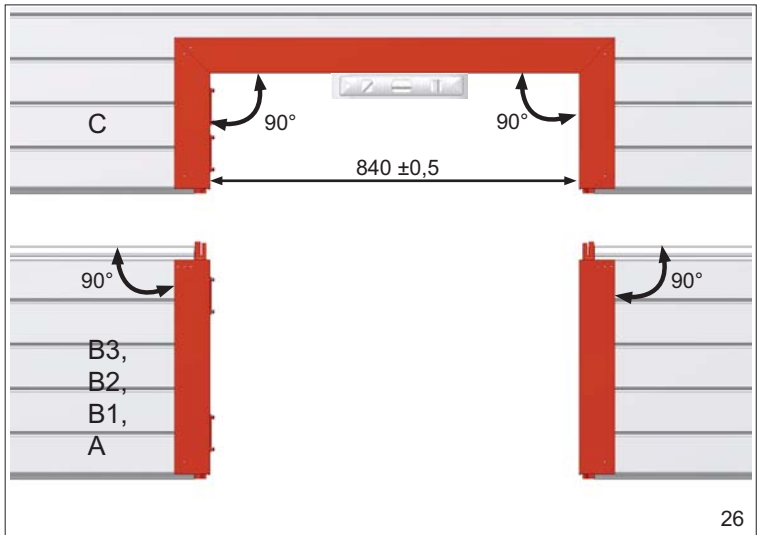
23



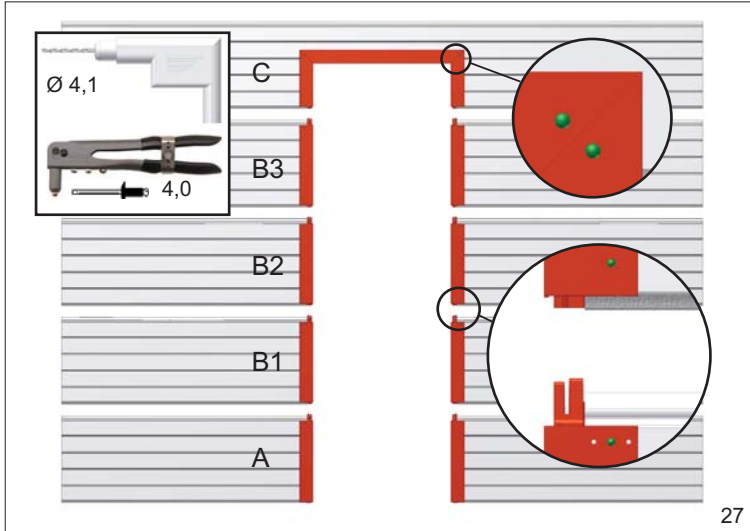
24



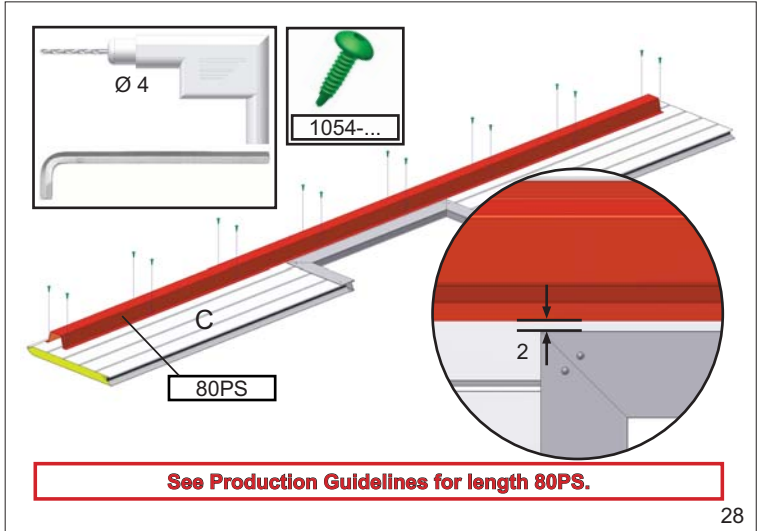
25



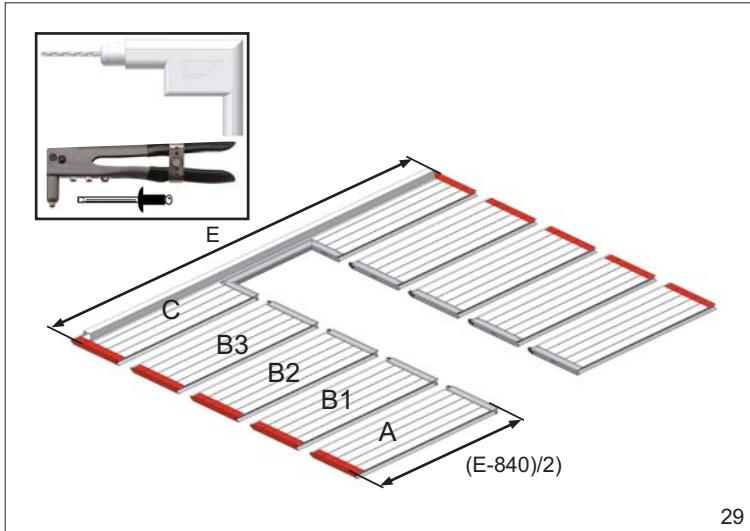
26



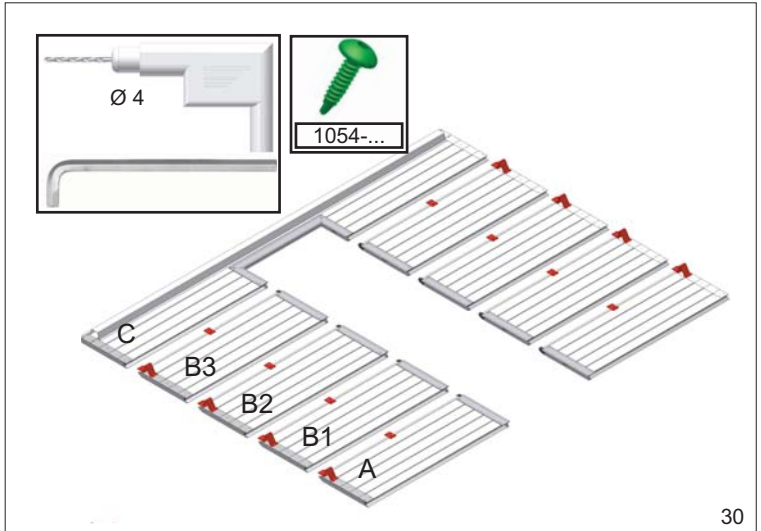
27



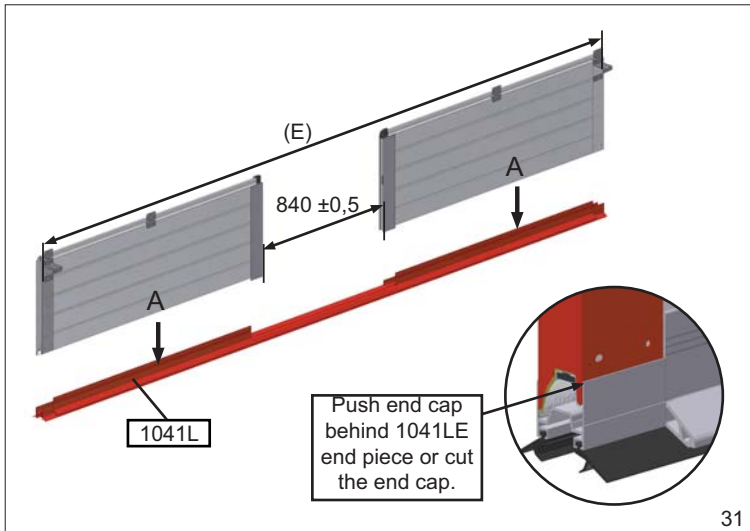
28



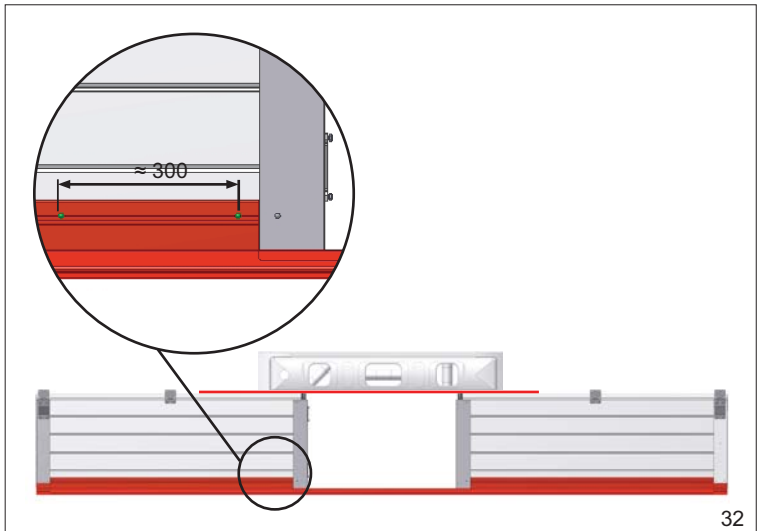
29



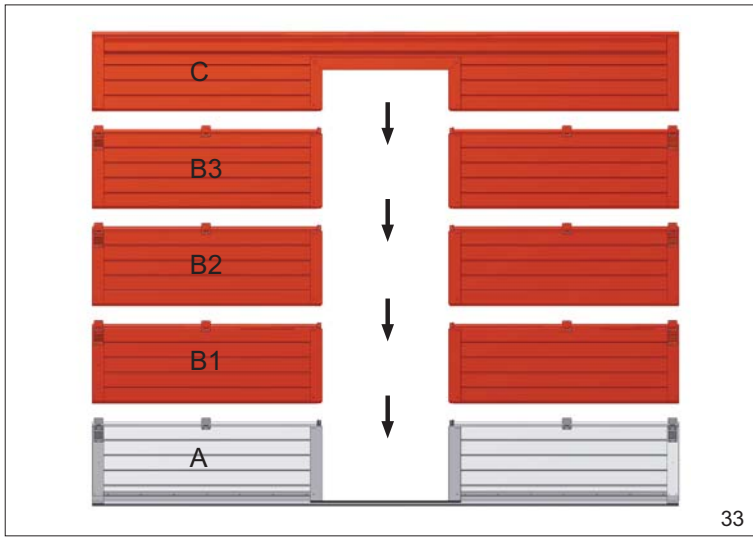
30



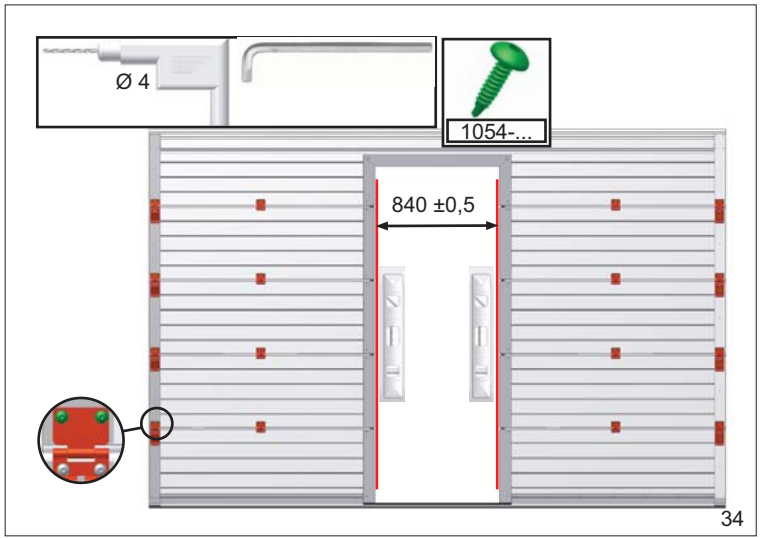
31



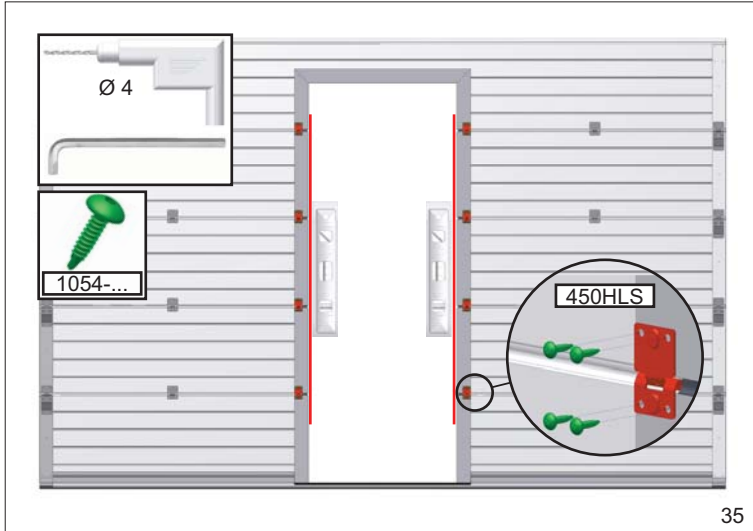
32



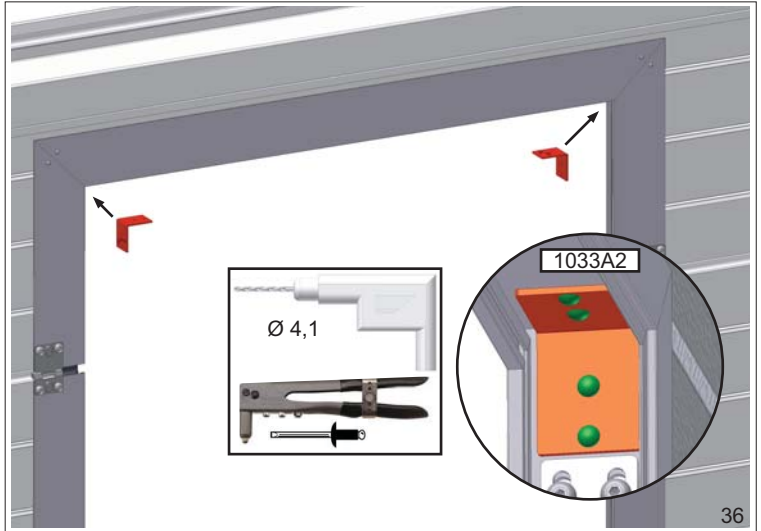
33



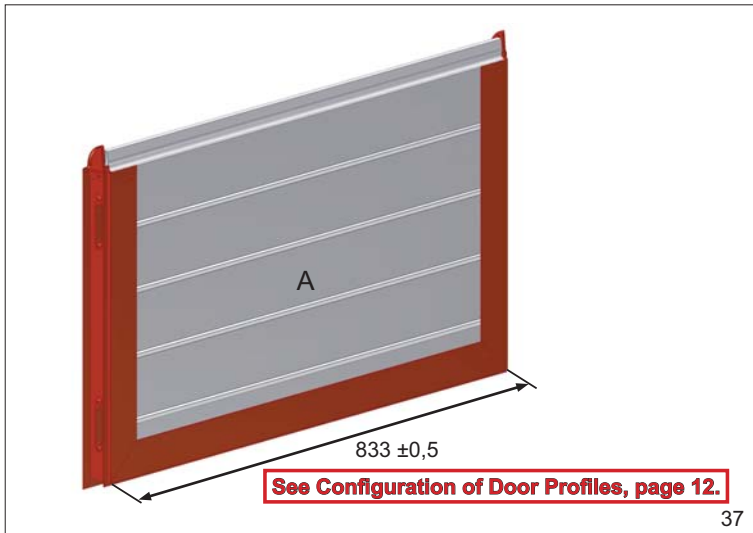
34



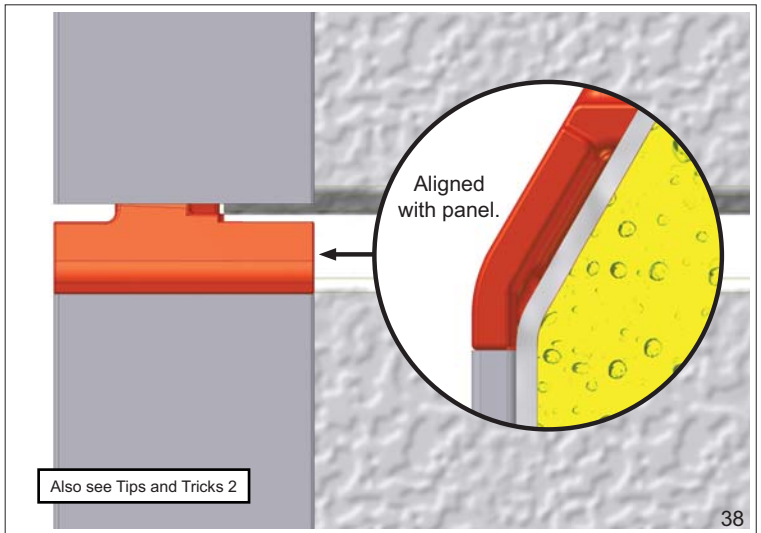
35



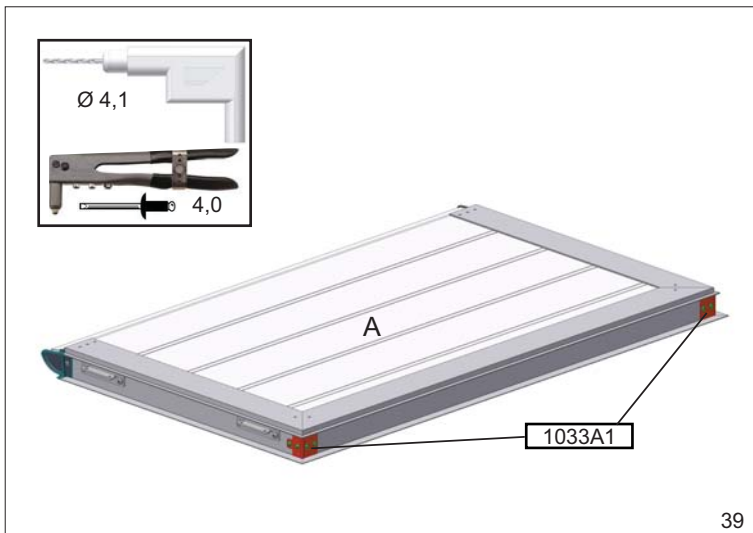
36



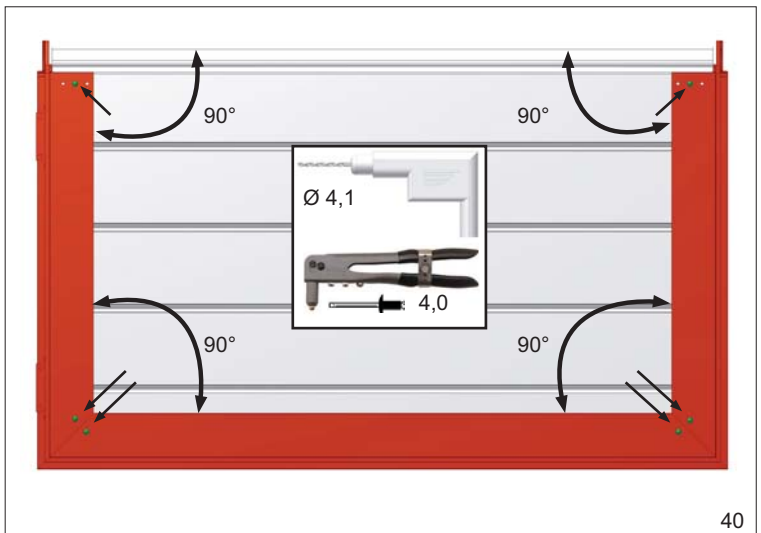
37



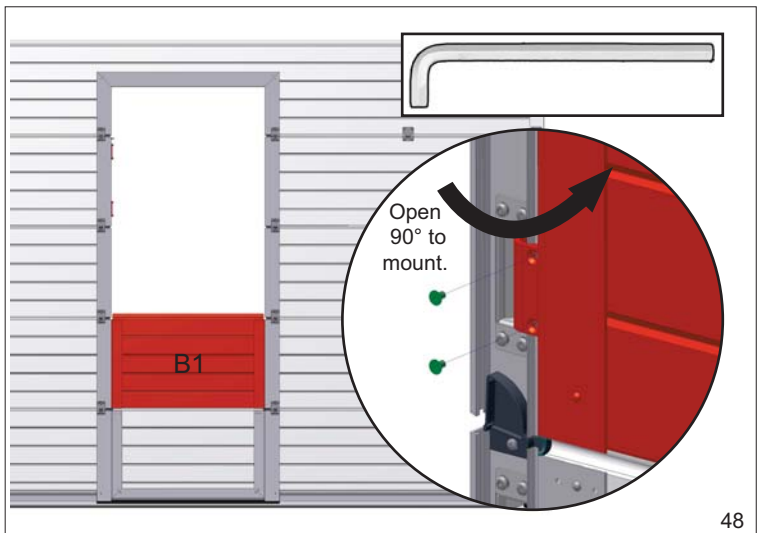
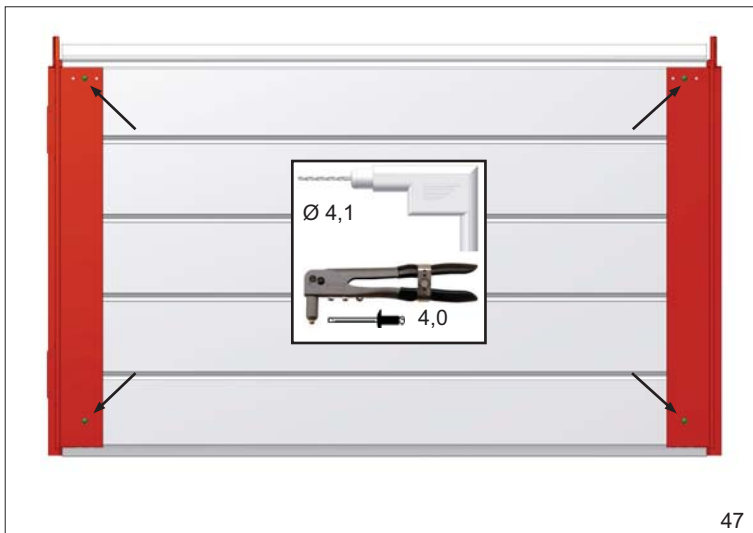
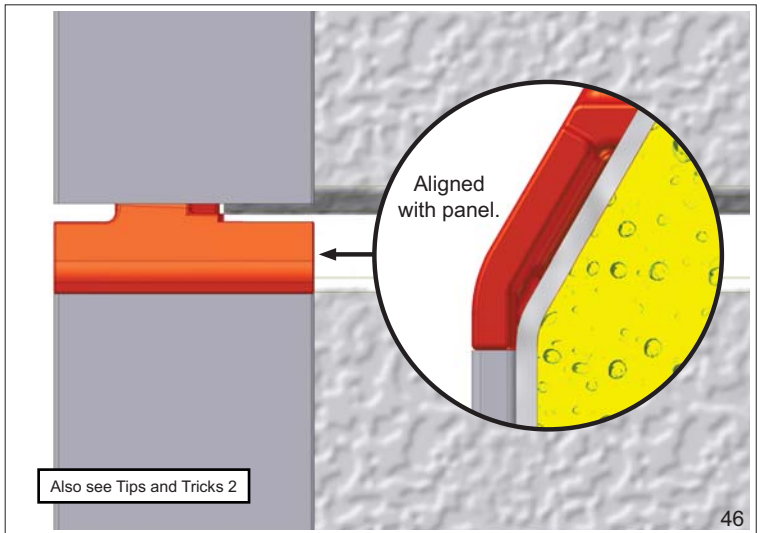
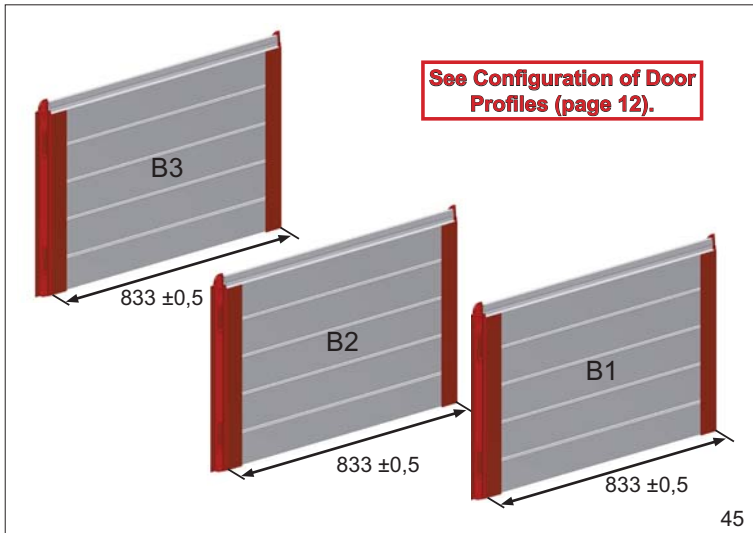
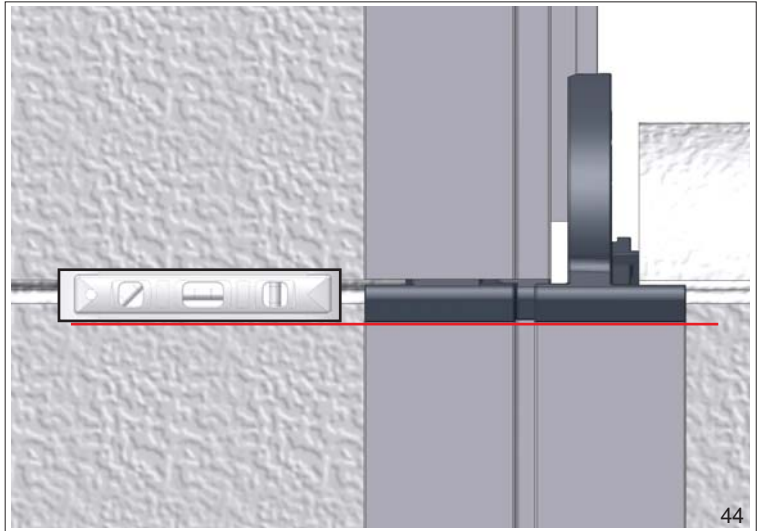
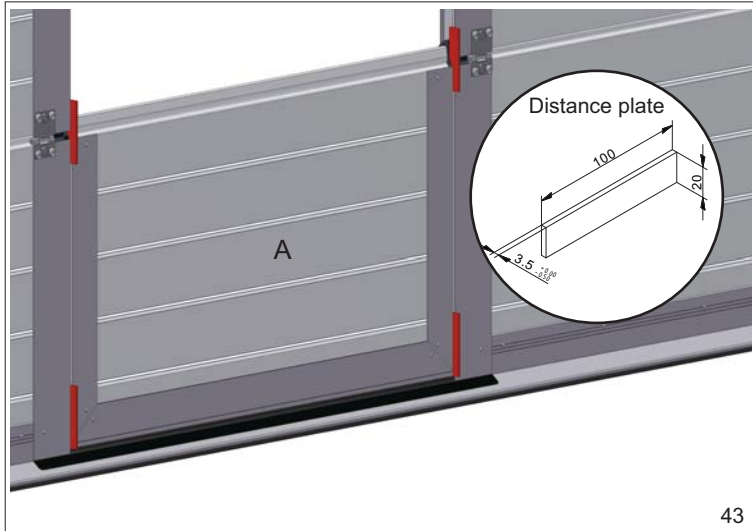
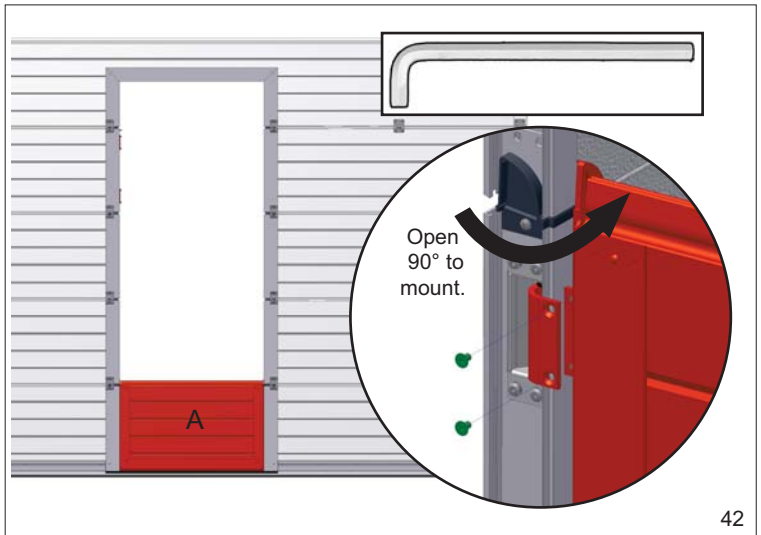
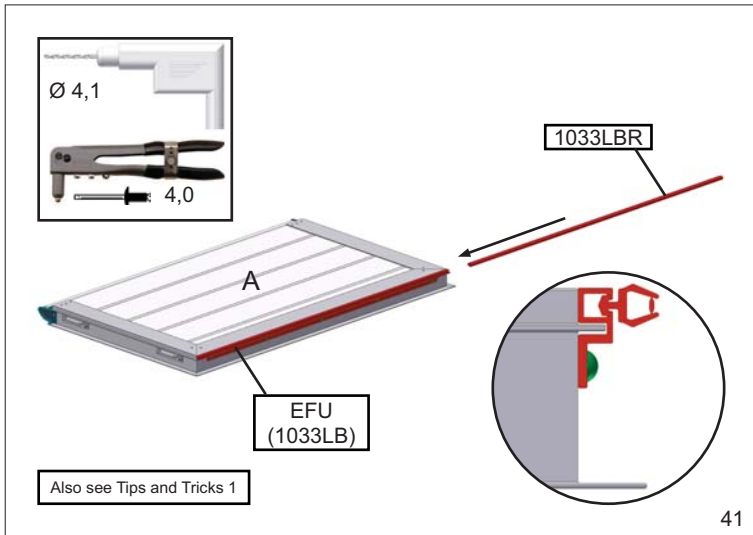
38

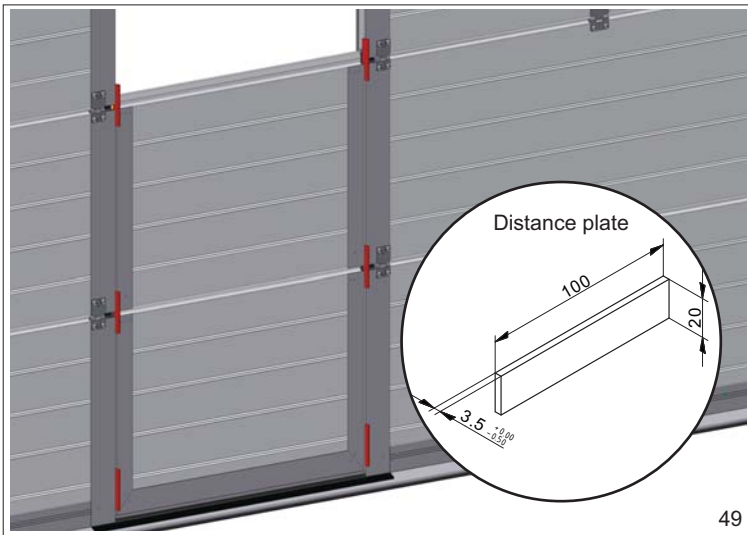


39

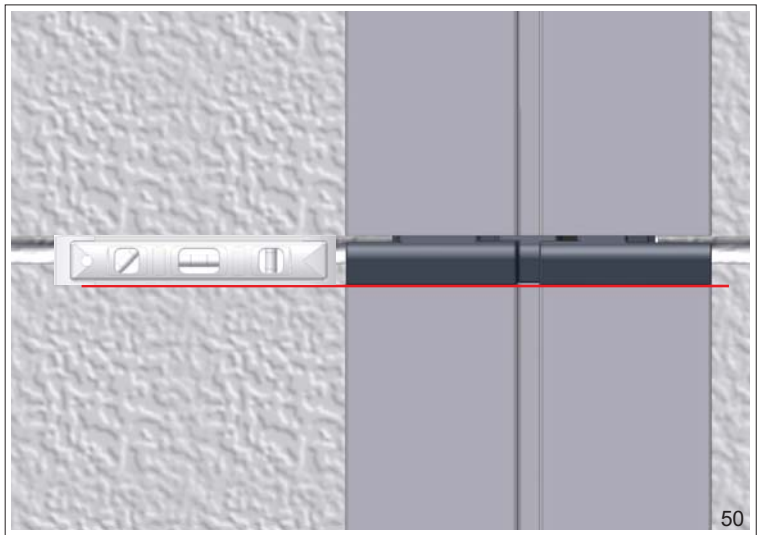


40

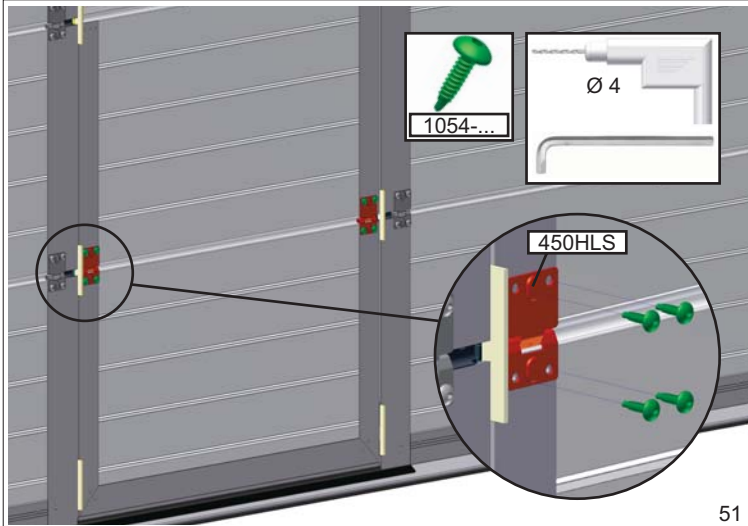




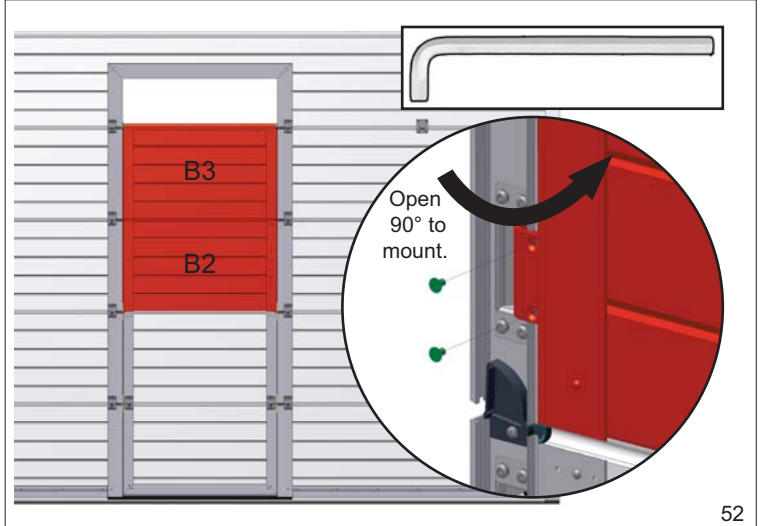
49



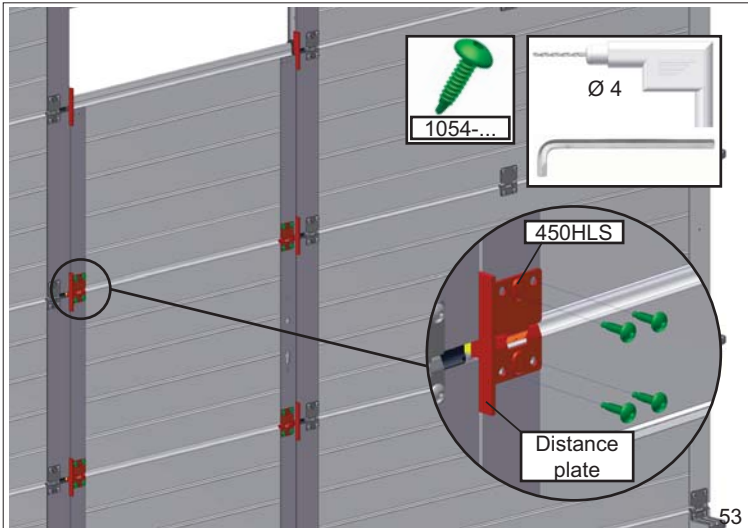
50



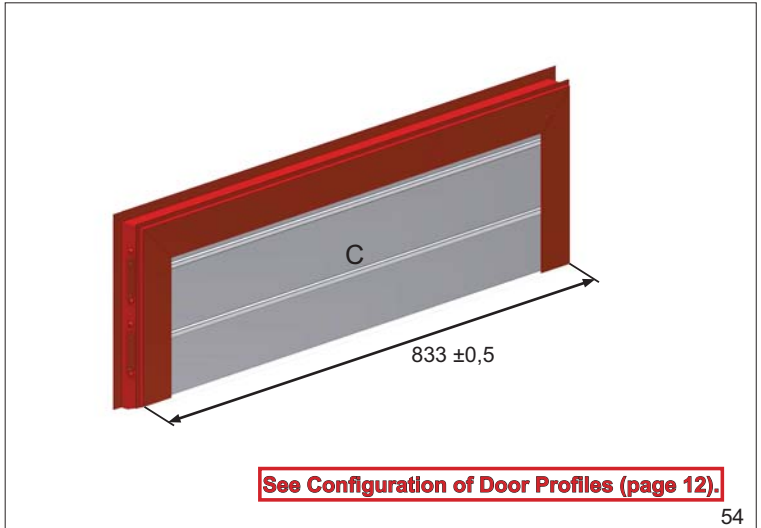
51



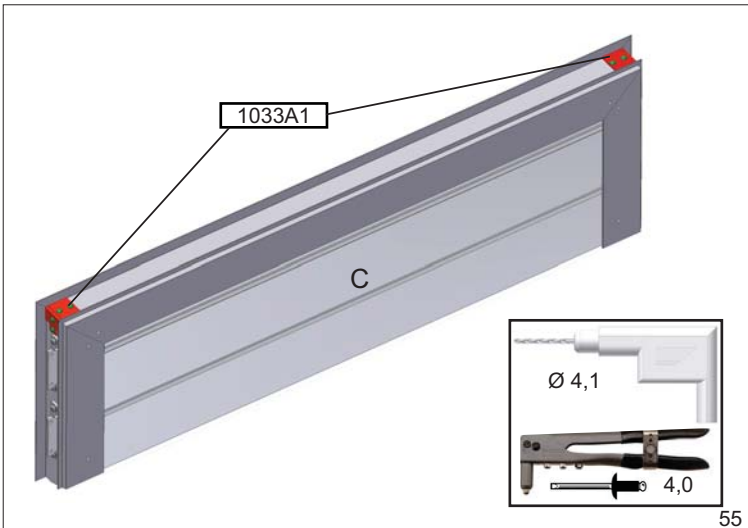
52



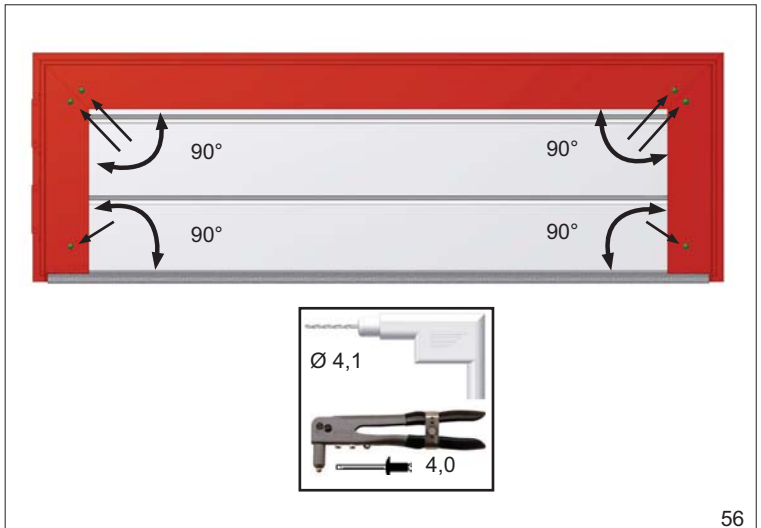
53



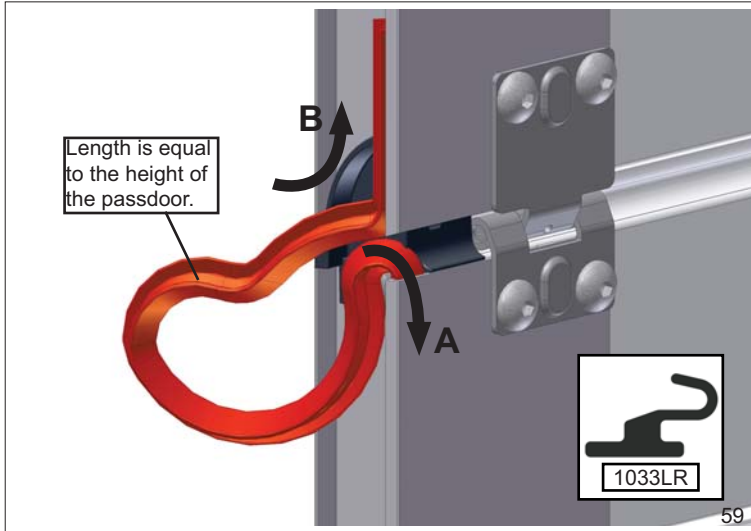
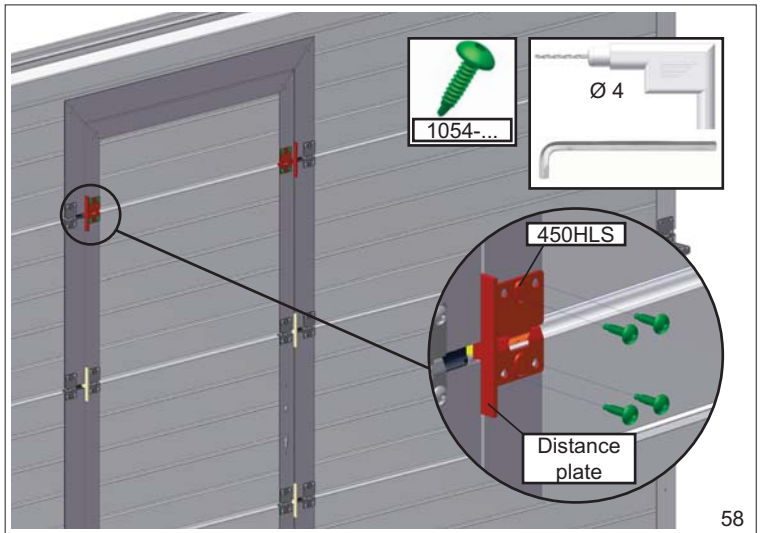
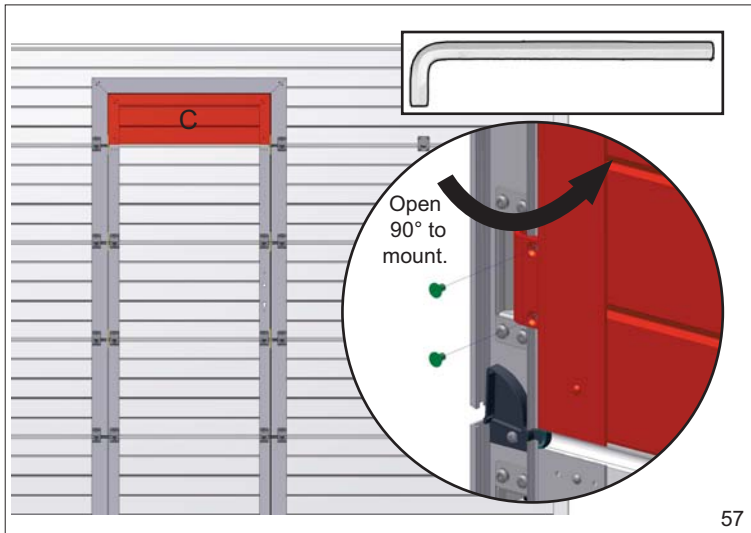
54



55



56



SafeStep®

Pass door System for fingersafe panels

OPTIONS

61

