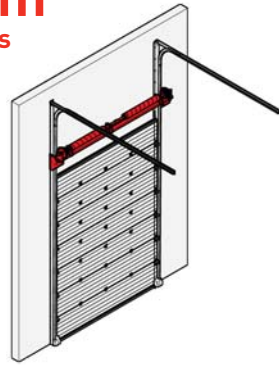


Spring on Beam

For high lift & vertical lift doors

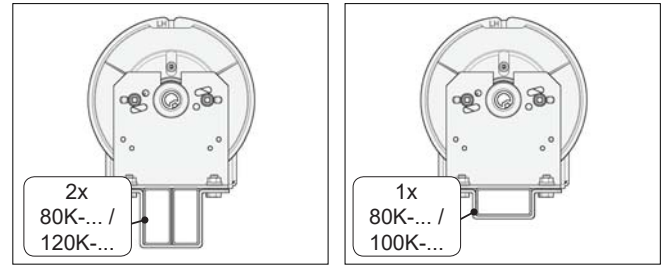
- High lift > 1600mm
- FFHL120
- FFHL164
- FFVL11
- FFVL18
- FFHL54*



* High lift too low

01 163 991 rev.19-03-2020

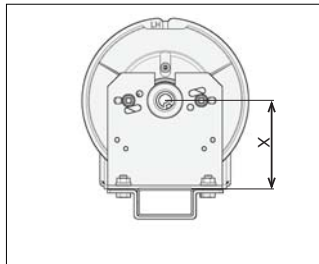
1



	OPH ≤ 4000	OPH ≤ 7000
1x 80K-...	OPW ≤ 4000	OPW ≤ 3000
2x 80K-...	OPW ≤ 6000	OPW ≤ 5500
1x 100K-...	OPW ≤ 7000	OPW ≤ 6000
2x 120K-...	OPW ≤ 8000	OPW ≤ 7000

01 163 991 rev.19-03-2020

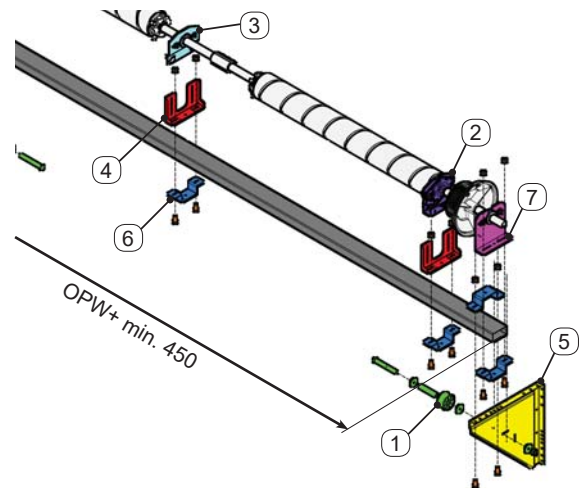
2



Drum	Dim X (mm)	Cable length (mm)
FFHL120	127	OPH + 5300 - HL
FFHL164	152	OPH + 6600 - HL
FFVL11	127	5400
FFVL18	152	8500

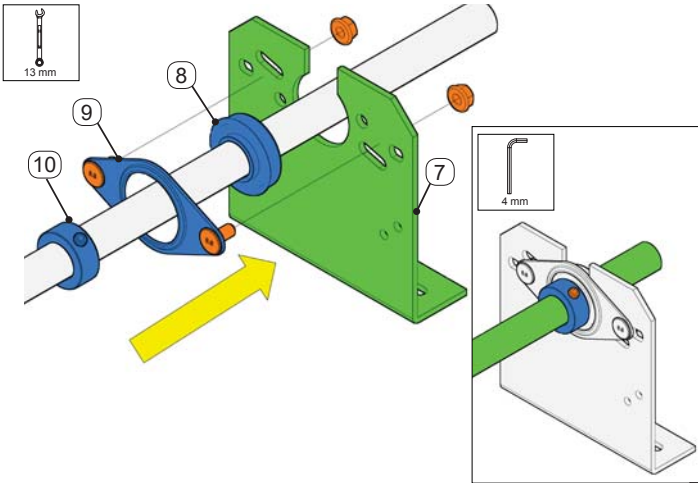
01 163 991 rev.19-03-2020

3



01 163 991 rev.19-03-2020

4



01 163 991 rev.19-03-2020

5

1	355GRS
2	670 / 675
3	300SB
4	661HD

	Panel ≤ 40mm		Panel > 40mm	
	FFVL11	FFHL120	FFVL18	FFHL164
	OPH≤5500		OPH>5500	
5	355CS		355CNS	

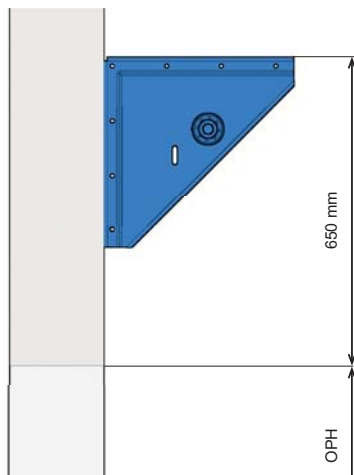
	1x 80K-...	2x 80K-...	1x 100K-...	2x 120K-...
6	35U40	35U80	355STRI	35U120

	FFHL120	FFHL164	FFVL11	FFVL18
7	317-4N	318-4N	317-4N	318-4N

8	USB-B
9	325B
10	1065

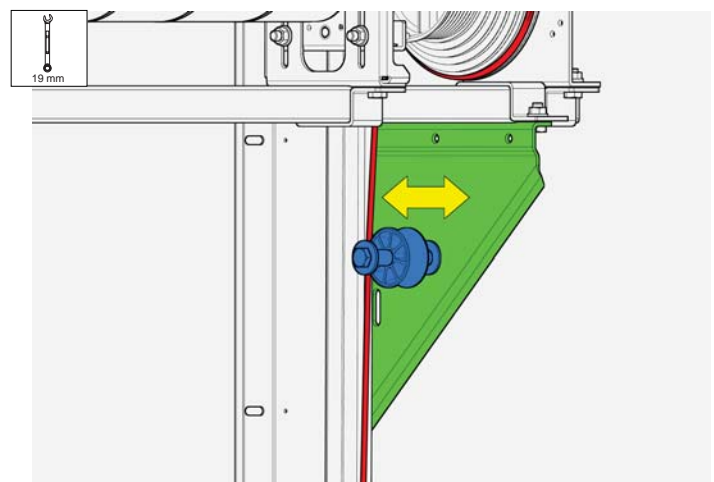
01 163 991 rev.19-03-2020

6



01 163 991 rev.19-03-2020

7



01 163 991 rev.19-03-2020

8

