

# M A N U A L

INDUSTRIAL HARDWARE SET FOR OVERHEAD DOORS  
PRZEMYSŁOWY ZESTAW MONTAŻOWY DO BRAM SEKCYJNYCH

## ISC-NL



INSTALLATION / MAINTENANCE  
INSTRUKCJA MONTAŻU/KONSERWACJI



## ATTENTION! GENERAL WARNINGS!



To install, use and maintain this door safely, a number of precautions must be taken. For the safety of all concerned pay heed to the warnings and instructions given below! If in doubt, contact your supplier.

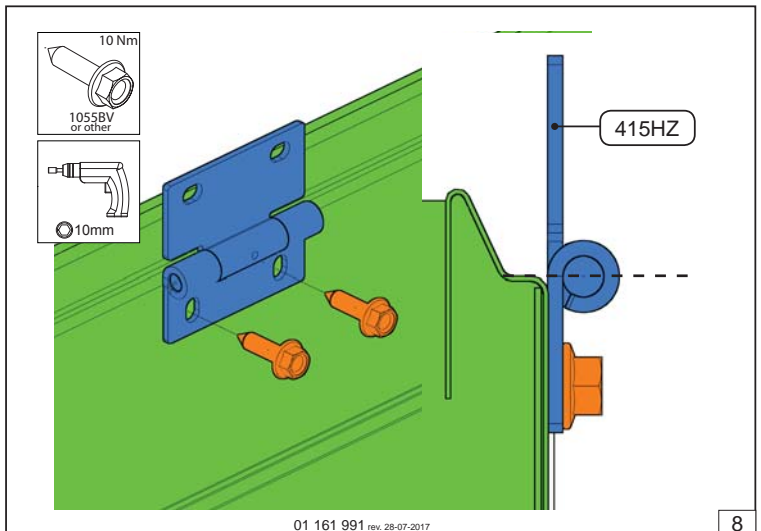
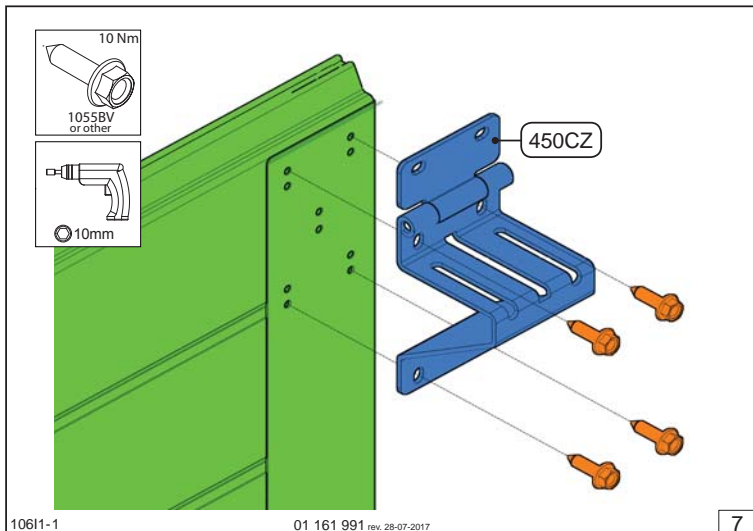
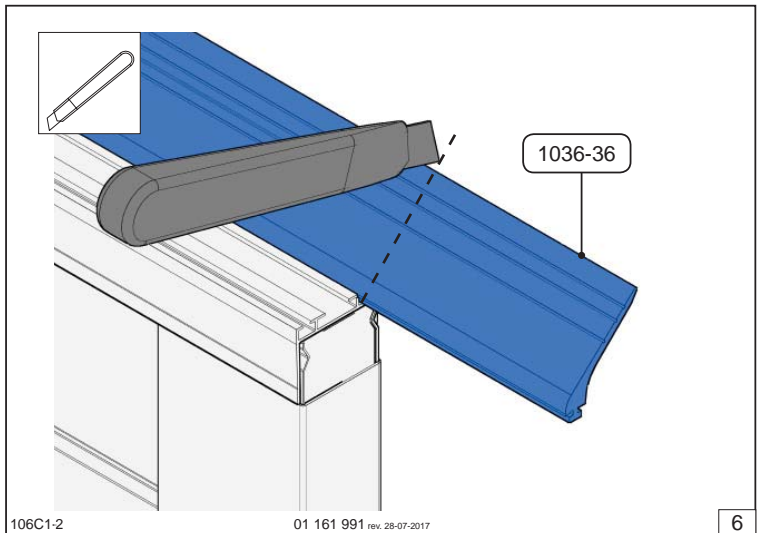
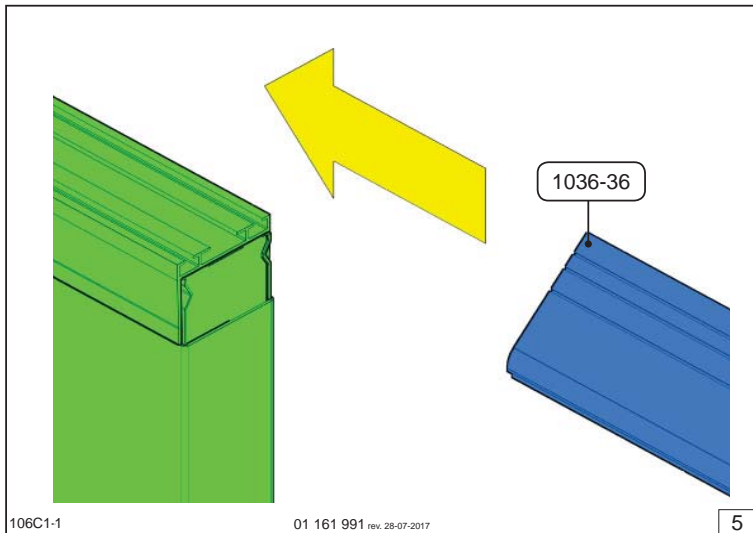
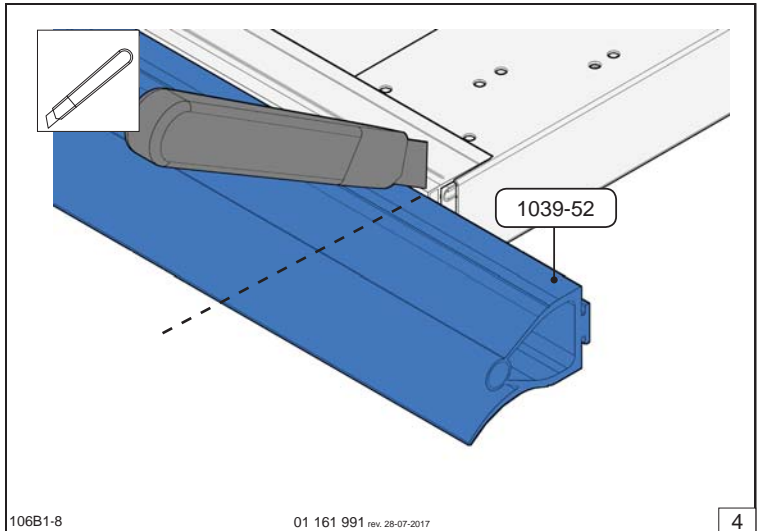
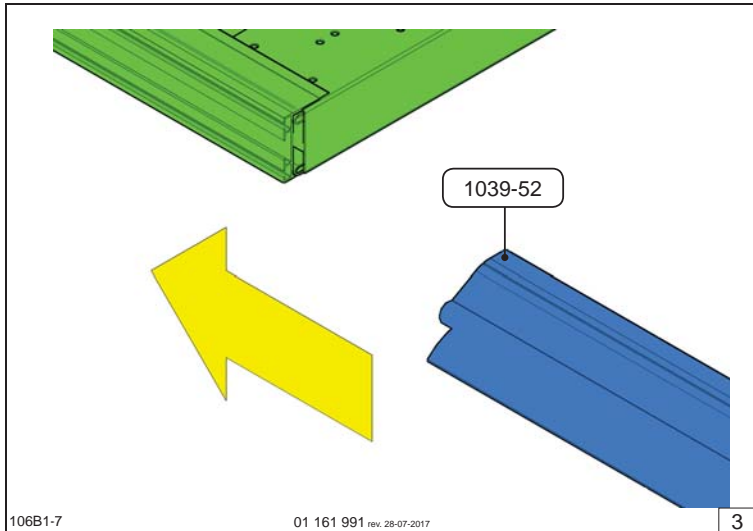
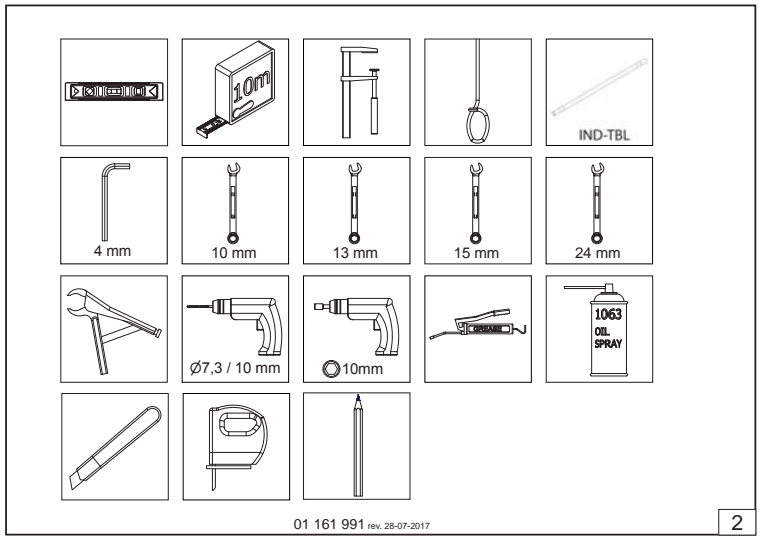
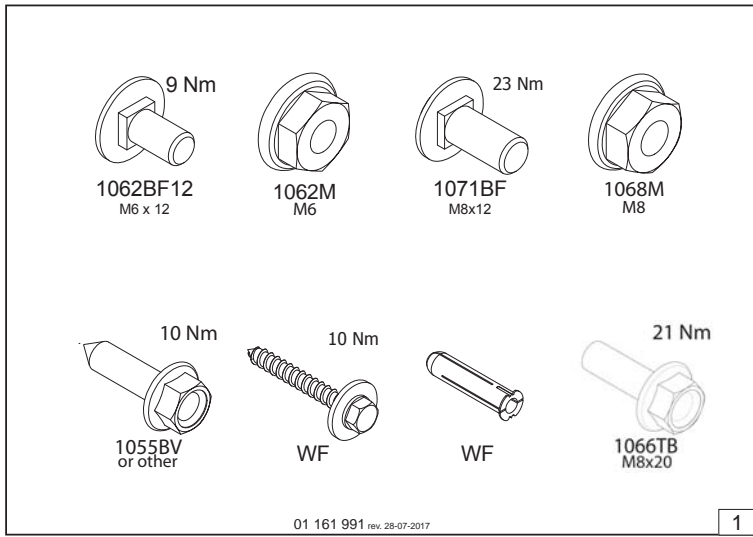


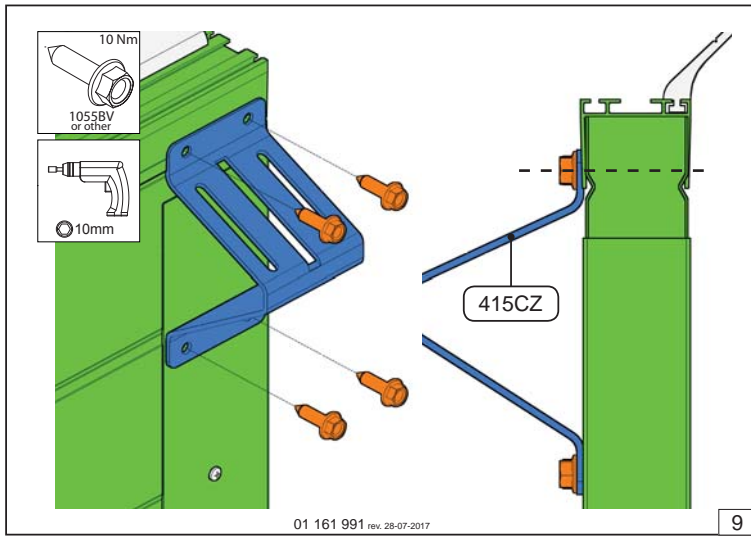
**SPECIAL SAFETY WARNINGS OR REMARKS IN THIS MANUAL ARE INDICATED WITH THIS SYMBOL: READ THESE WARNINGS CAREFULLY.**

- ✓ This manual has been written for use by experienced fitters and as such is not suitable for d.i.y. purposes or for use by trainee fitters.
- ✓ This manual describes the installation of the hardware set components, door sections (panels) and refers to installation manuals of the electrical operators. Be sure to supplement this manual if needed with instructions for any additional components not described in this manual.
- ✓ Before starting, read this manual carefully!
- ✓ Certain components may be sharp or have jagged edges. As such you are advised to wear safety gloves.
- ✓ All the components which have been supplied are designed for use with this specific overhead door. Replacement or adding additional components may have an adverse effect on the safety of, and the guarantee on, the door. Also the CE-approval which has been granted to this door combination will be cancelled when components are changed or installation is not done according to this manual! Installer is responsible for this.
- ✓ During tensioning, springs can exert large forces. Work carefully. Use the proper equipment. Ensure that you are standing in a steady position.
- ✓ Ensure that there is sufficient light during installation. Remove obstacles and dirt. Make sure that there is no one else present other than the fitters. Other people (children!) may get in the way or endanger themselves during the installation.
- ✓ Ensure that the building is constructed strong enough to carry the overhead door construction. It is the responsibility of the installing company to use fixing materials which are strong enough and equipped to fix the overhead door to the building.
- ✓ A power operated overhead door may not be equipped with a pull cord (rope). Be sure that this has been removed when a manual operated door is being equipped with an E-operator.
- ✓ Environments closed by an electrical operated overhead door with operators which are not disconnectable and where the door cannot be manual operated must be equipped with a pass door.
- ✓ Cutting of the bottom section is not allowed. The forces on cable break devices and bottom brackets are too high. Cutting is weakening the construction of the door on this critical point.

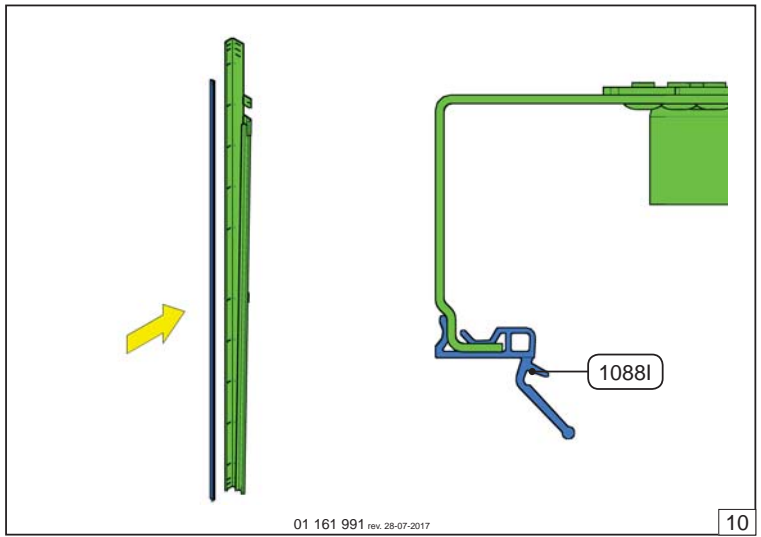
### **This door can only be taken into use, when all instructions are followed and:**

- ✓ The installer has checked the combination of hardware, panel and e-operator as being approved and safe. Make sure to check the max. peak force and the proper functioning of the safety edge system in combination with the operator.
- ✓ All documentation has been handed over to the end-user: Ila Declaration of conformity, User Guide, Maintenance Instructions, Dismantling instructions, Service Log Book and this manual.
- ✓ A CE-identification plate has been placed on the door.
- ✓ User has been given instructions and demonstration of the proper use and functioning of the door.

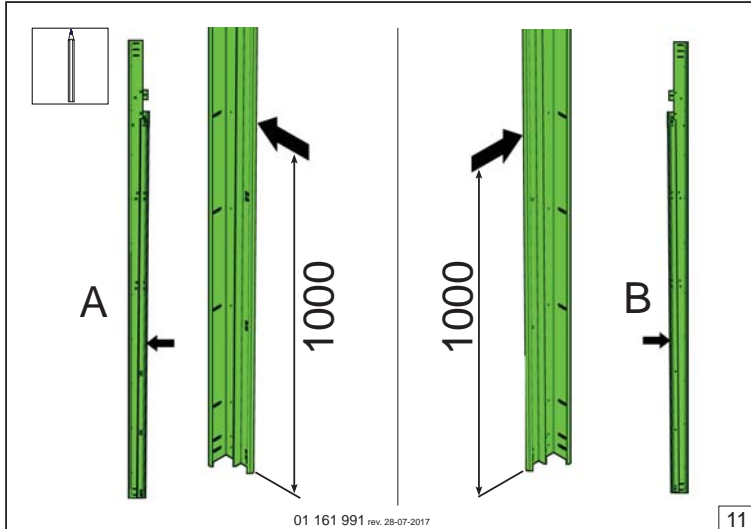




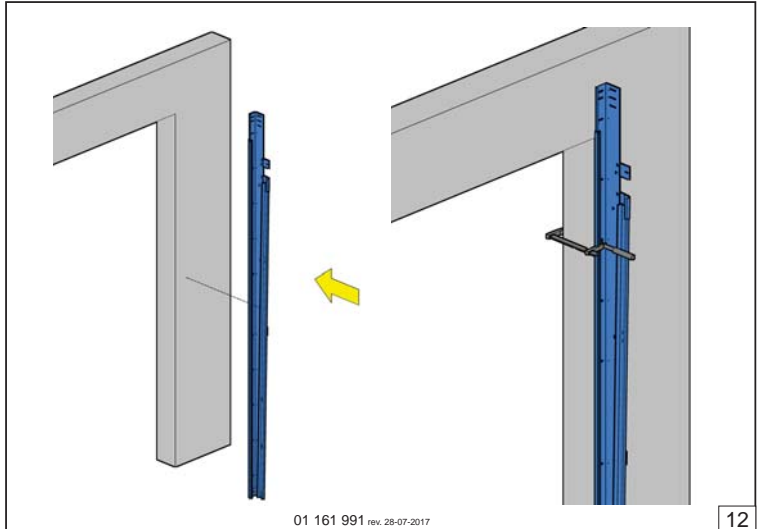
9



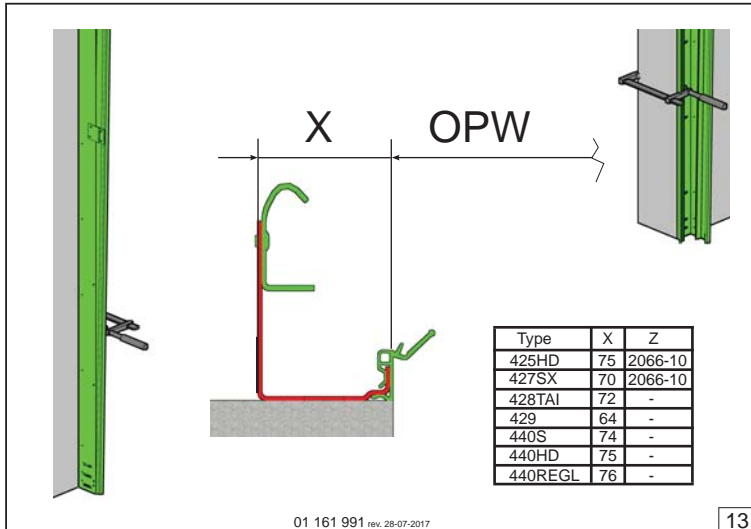
10



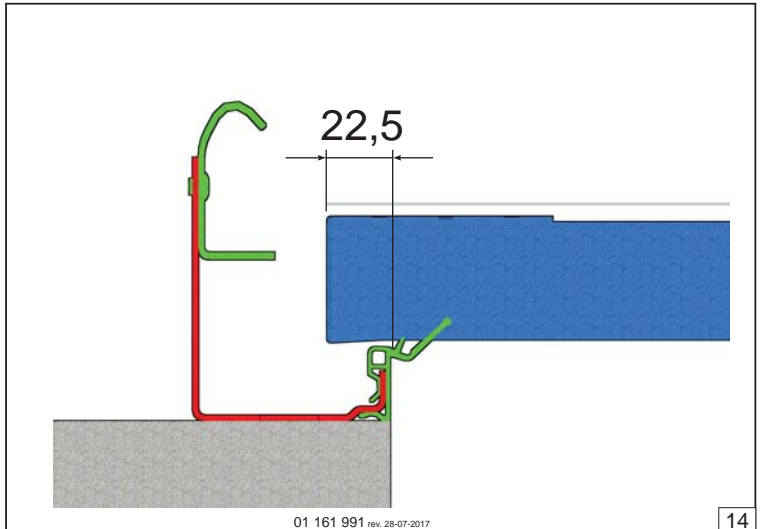
11



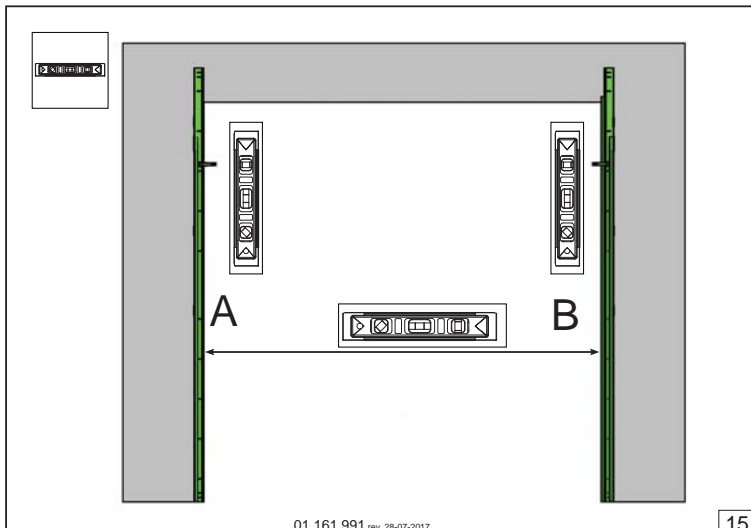
12



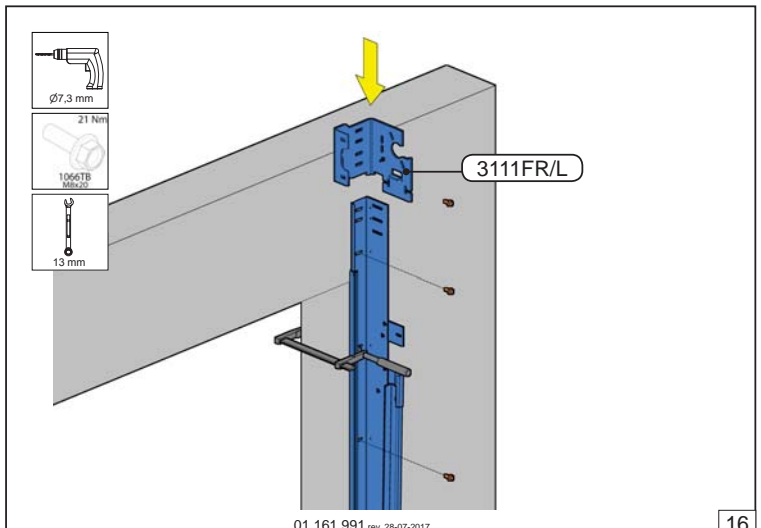
13



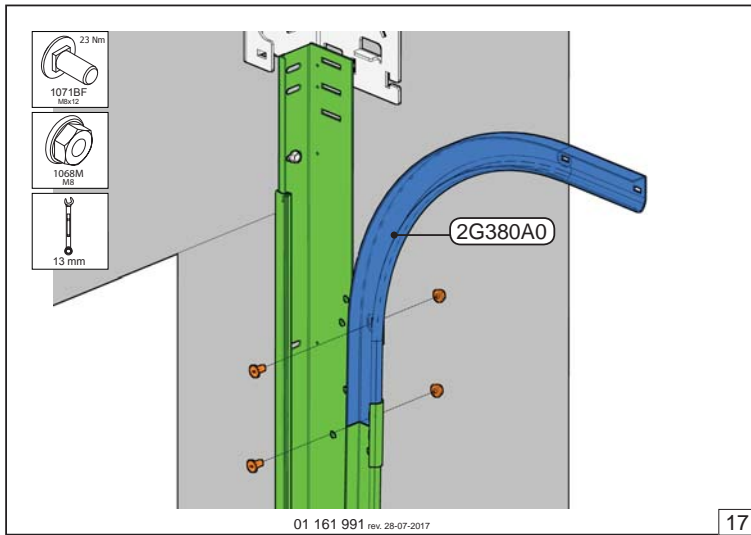
14



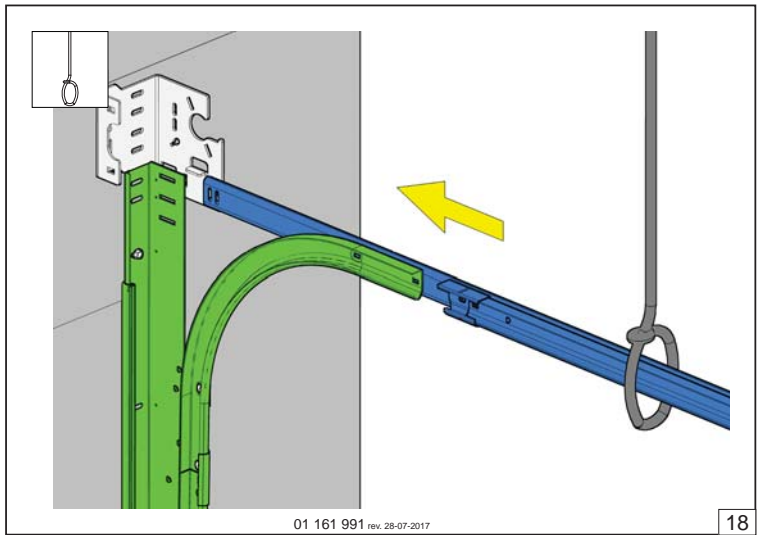
15



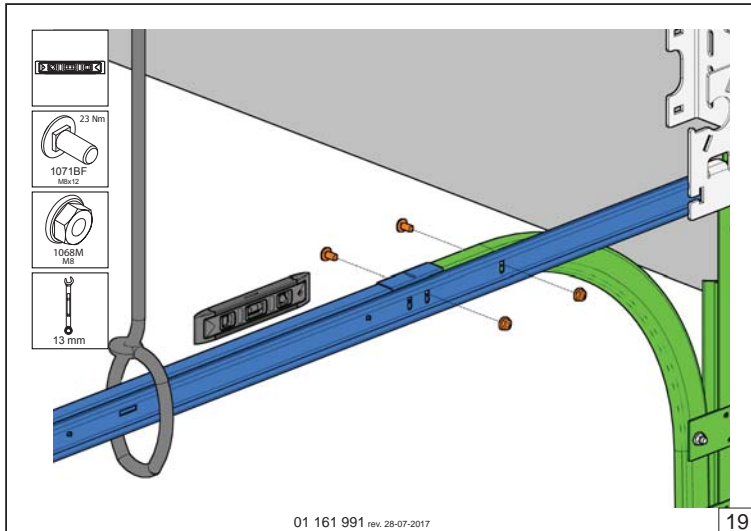
16



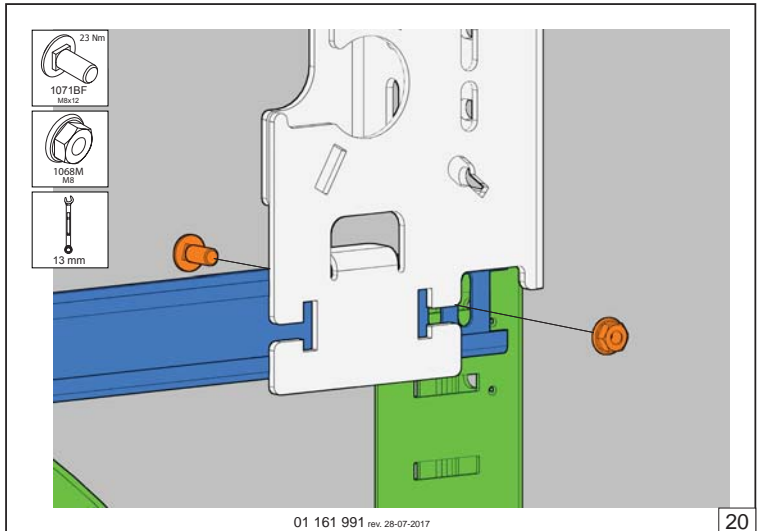
17



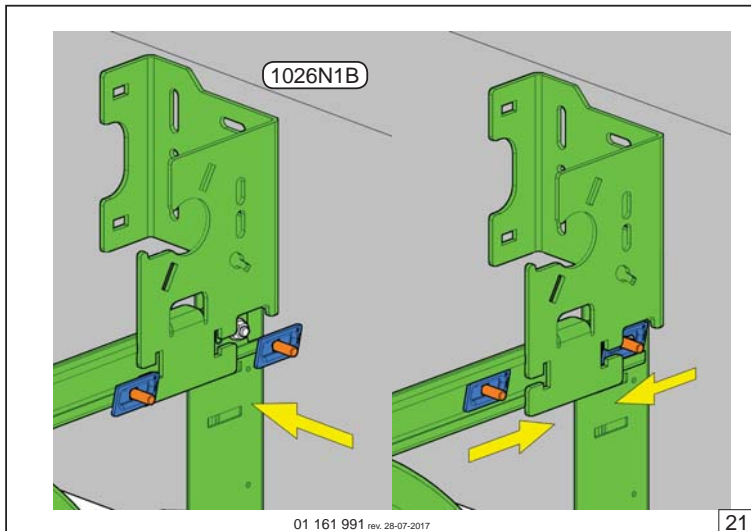
18



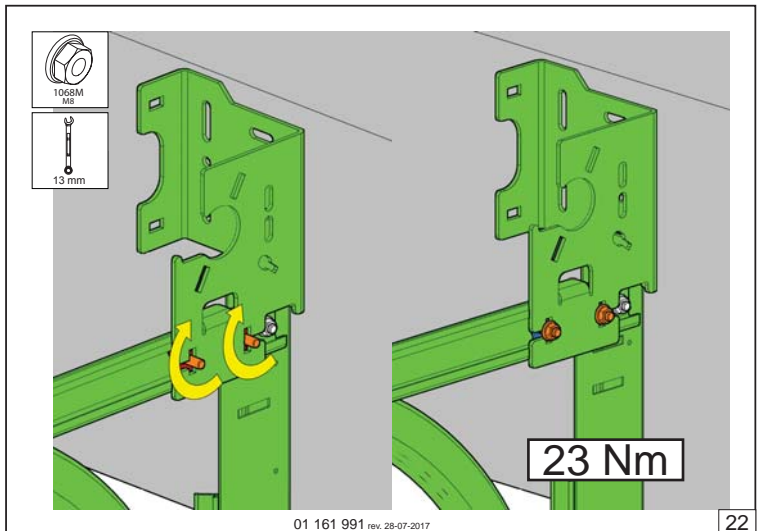
19



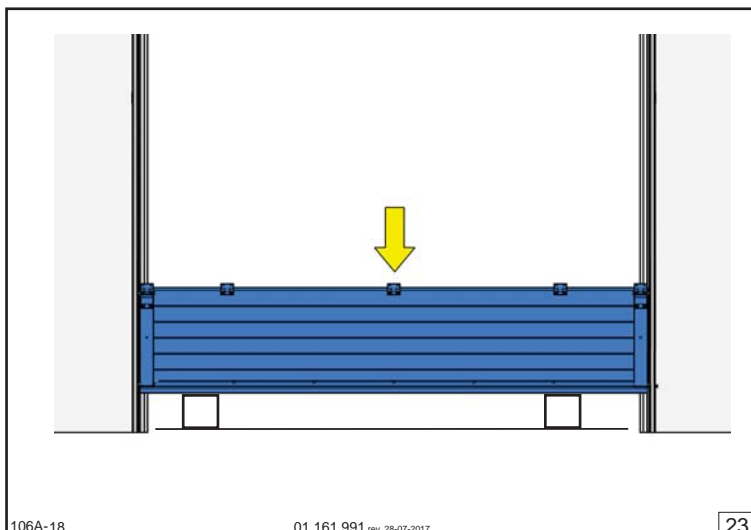
20



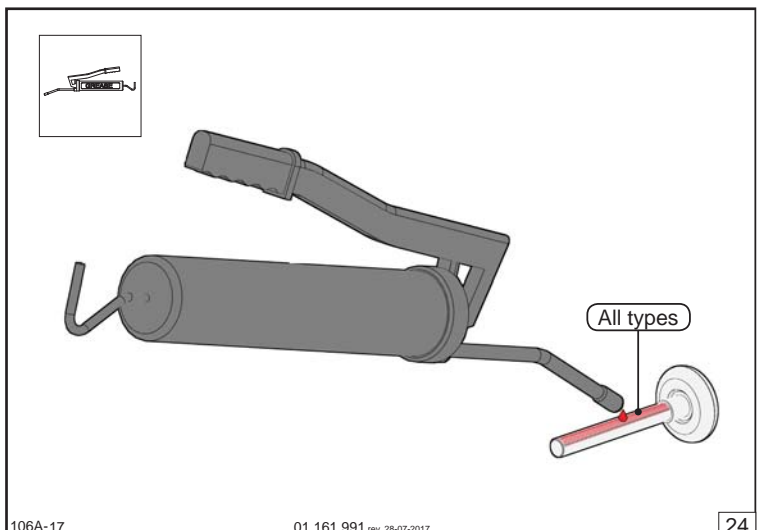
21



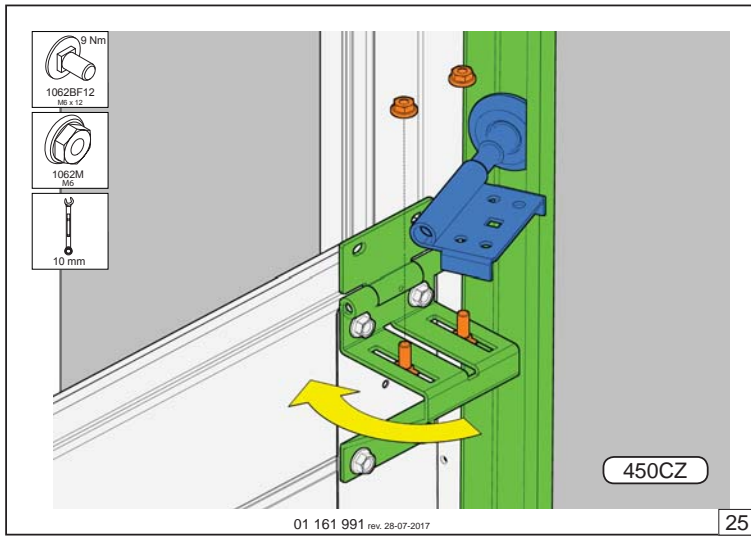
22



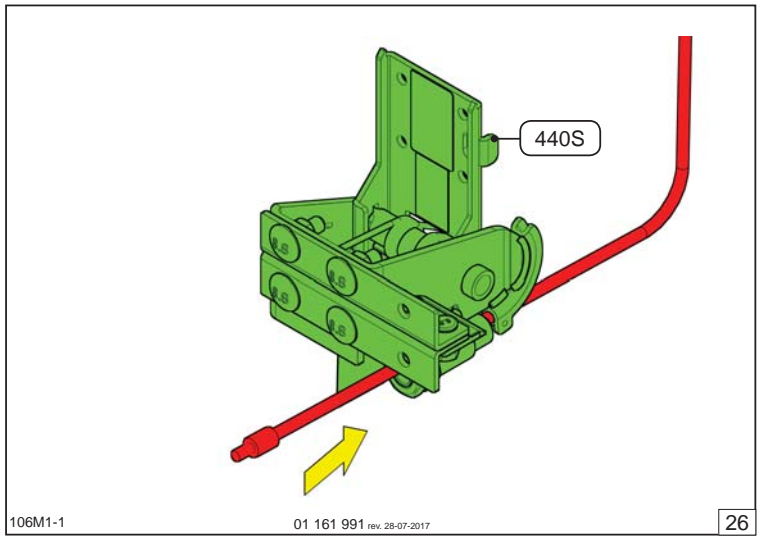
23



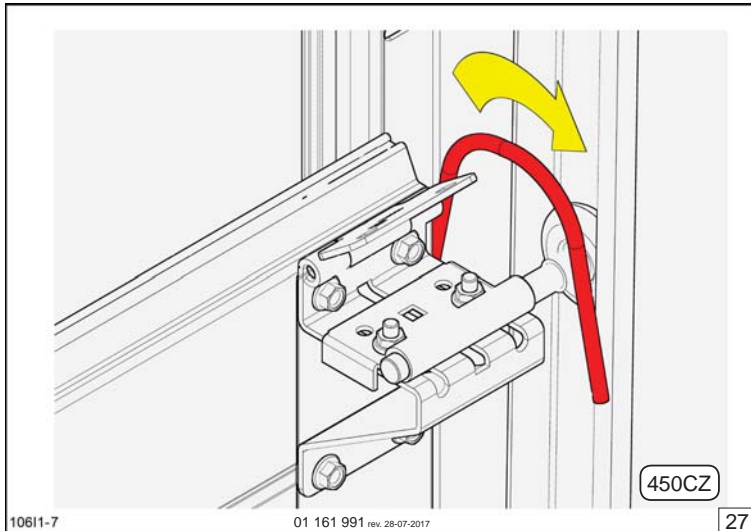
24



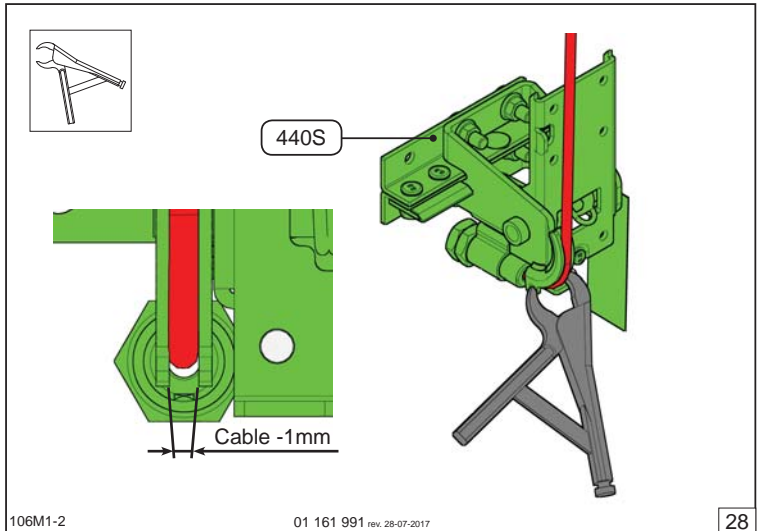
25



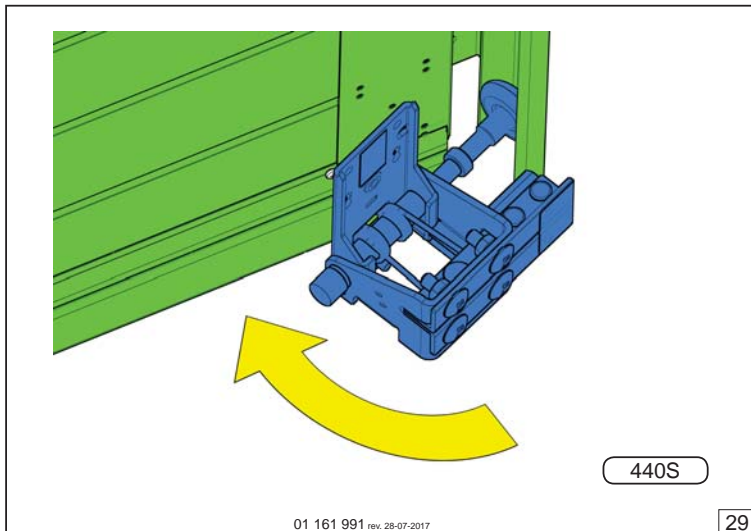
26



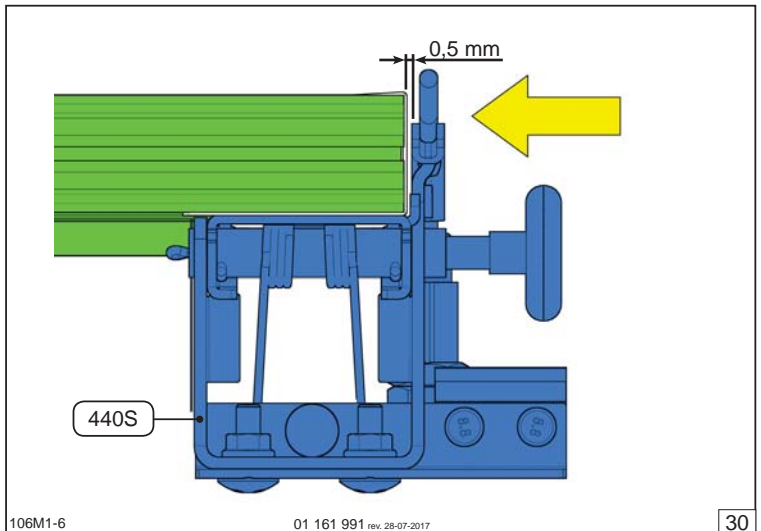
27



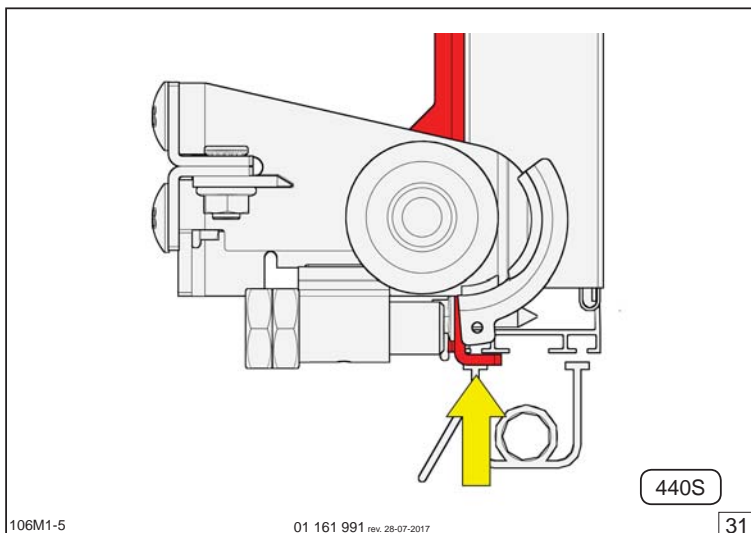
28



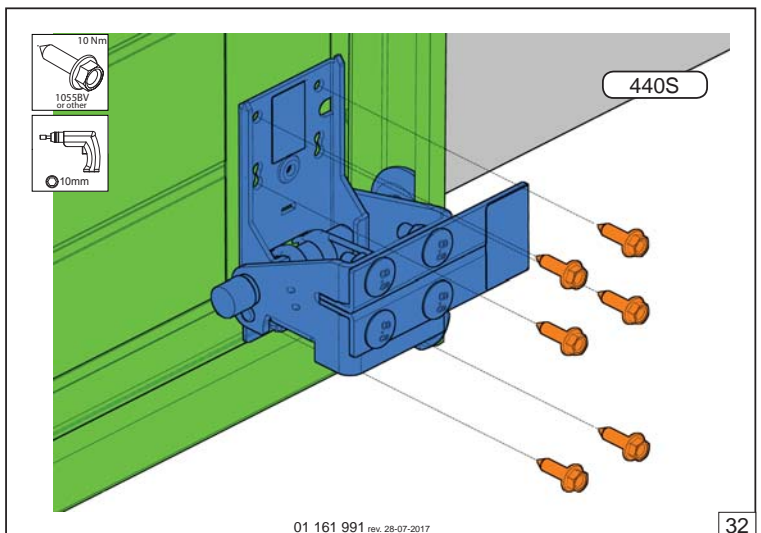
29



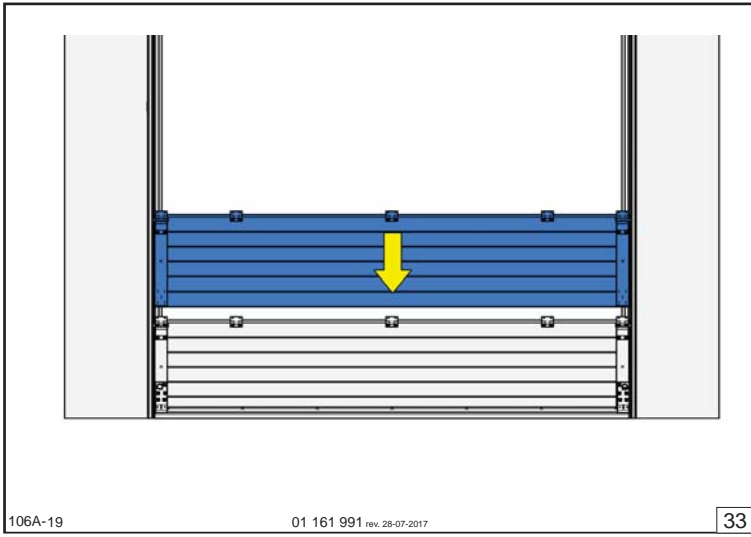
30



31



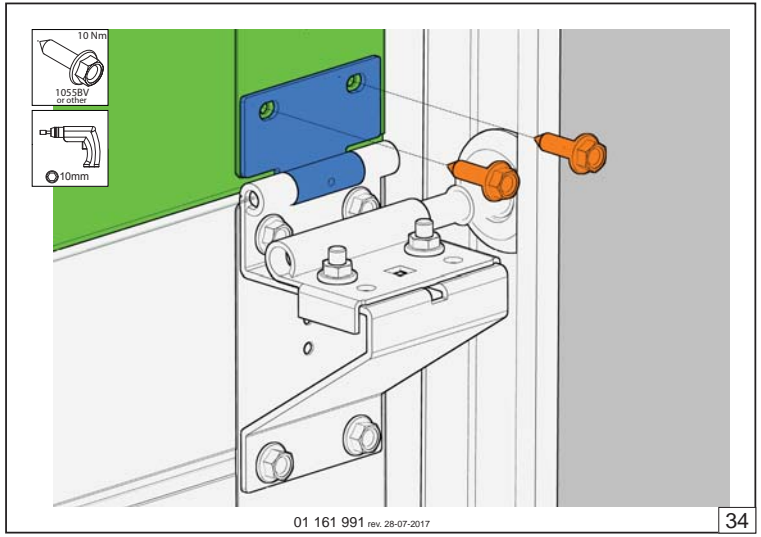
32



106A-19

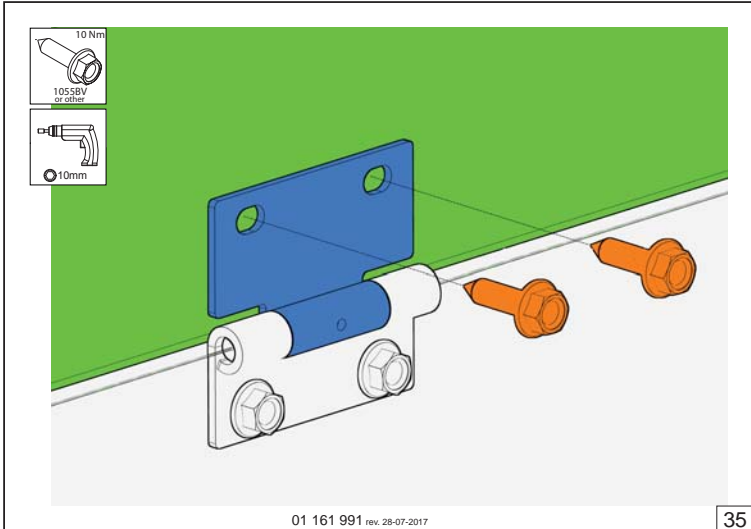
01 161 991 rev. 28-07-2017

33



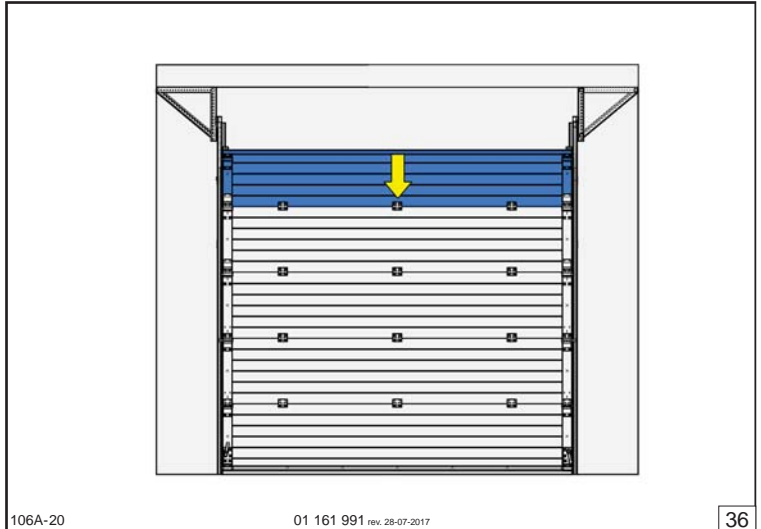
01 161 991 rev. 28-07-2017

34



01 161 991 rev. 28-07-2017

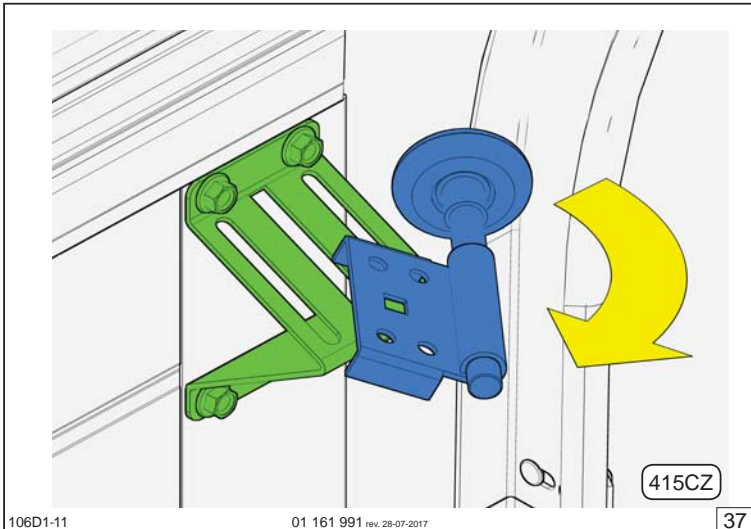
35



106A-20

01 161 991 rev. 28-07-2017

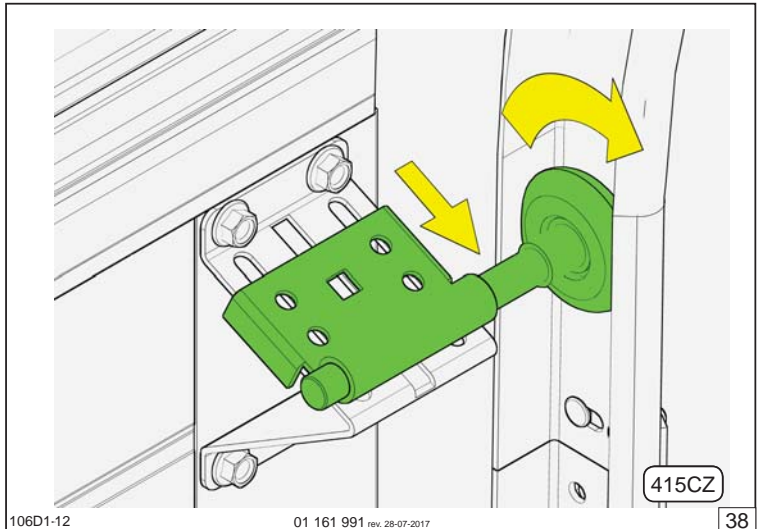
36



106D1-11

01 161 991 rev. 28-07-2017

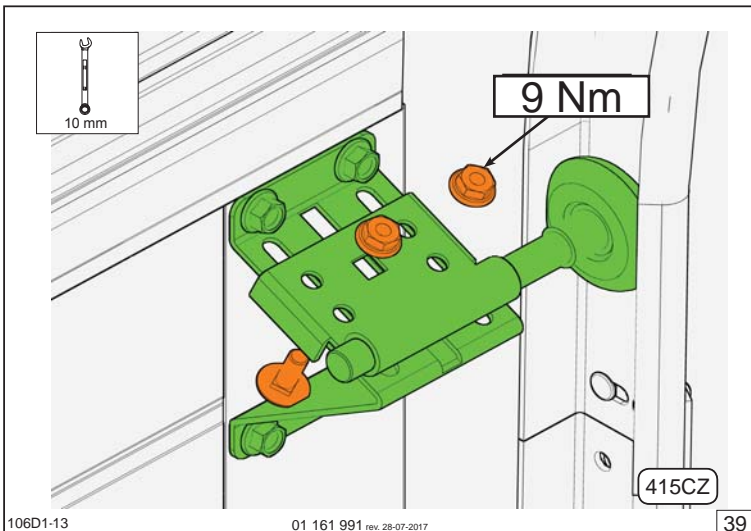
37



106D1-12

01 161 991 rev. 28-07-2017

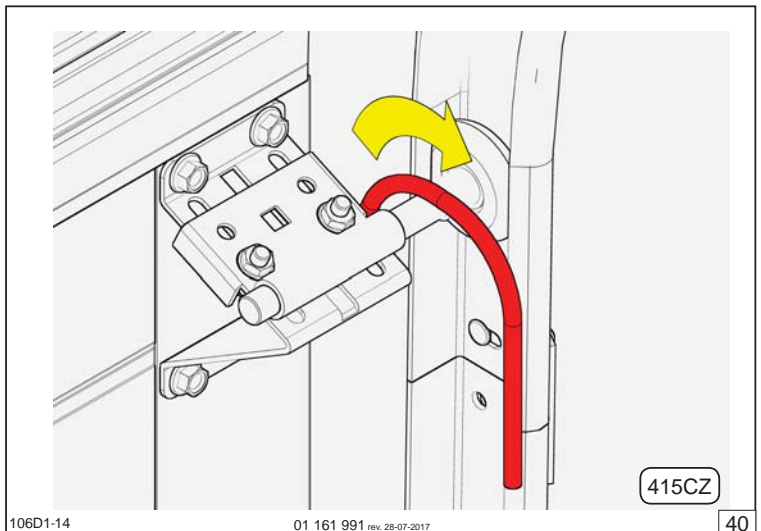
38



106D1-13

01 161 991 rev. 28-07-2017

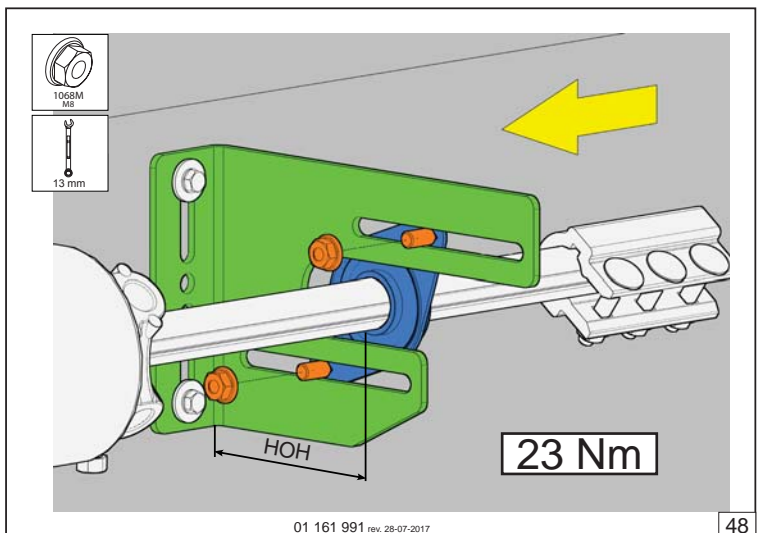
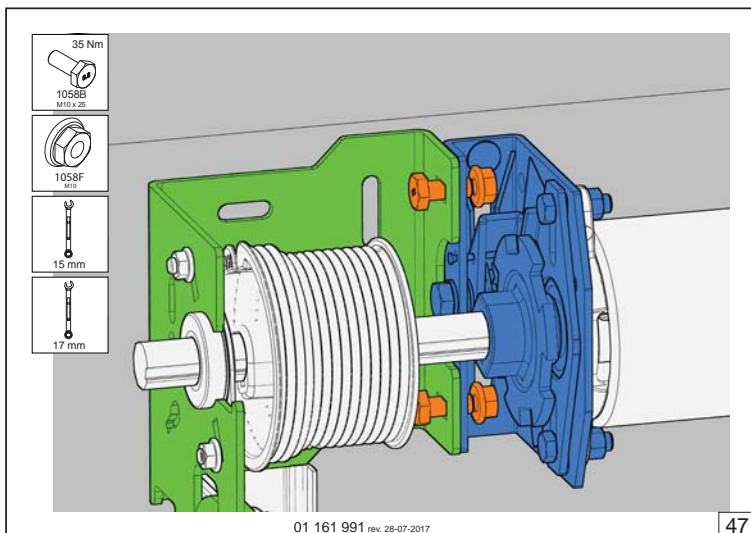
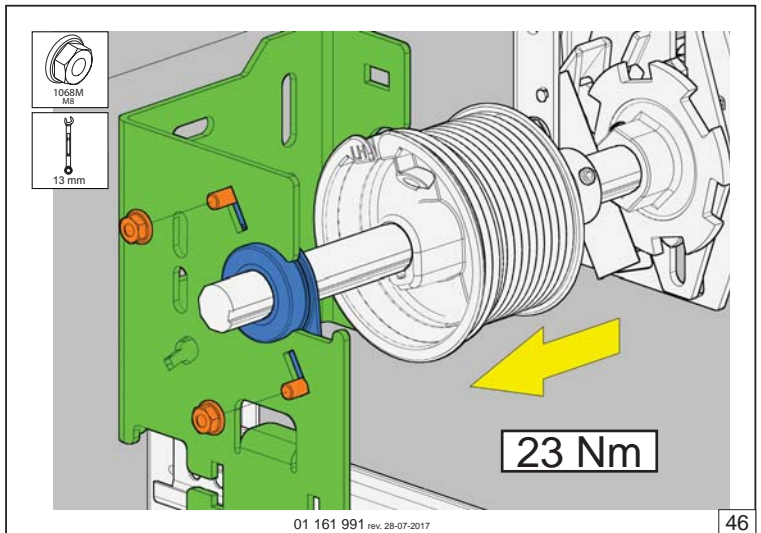
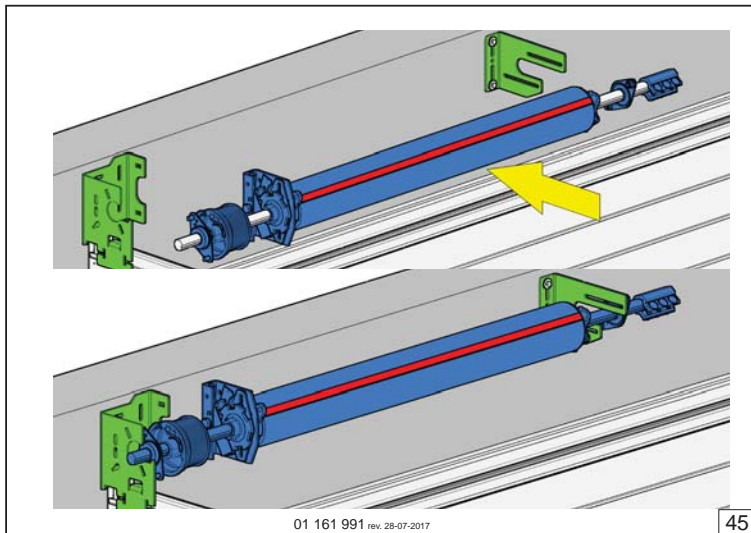
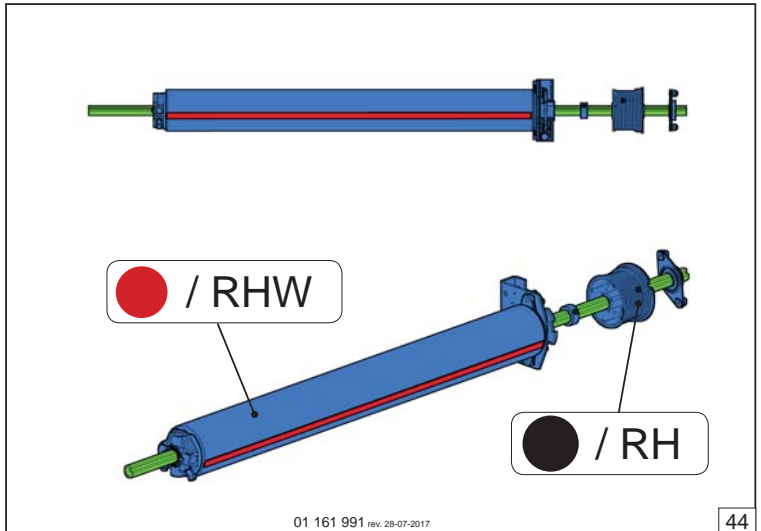
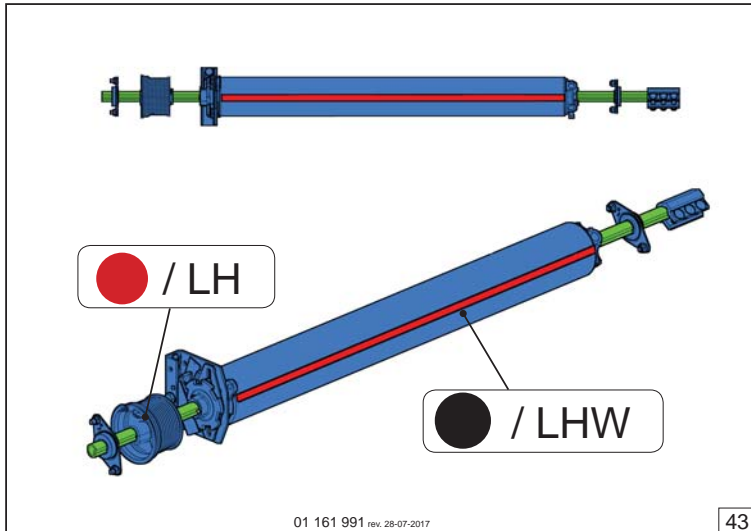
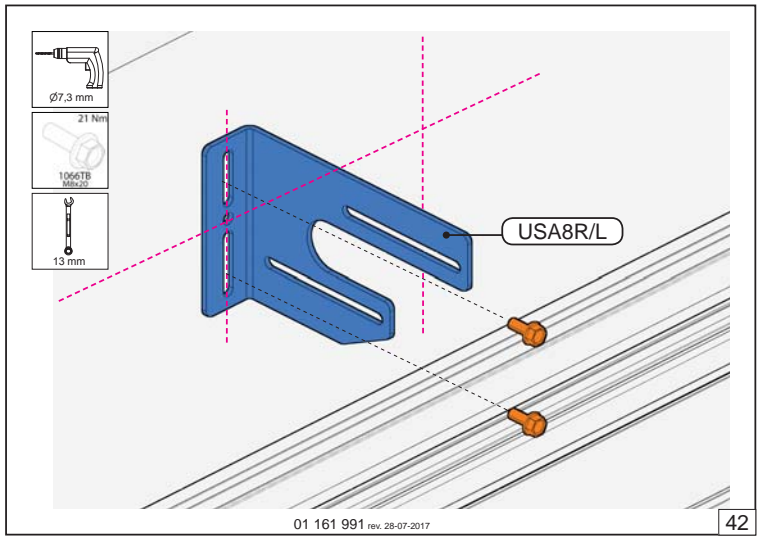
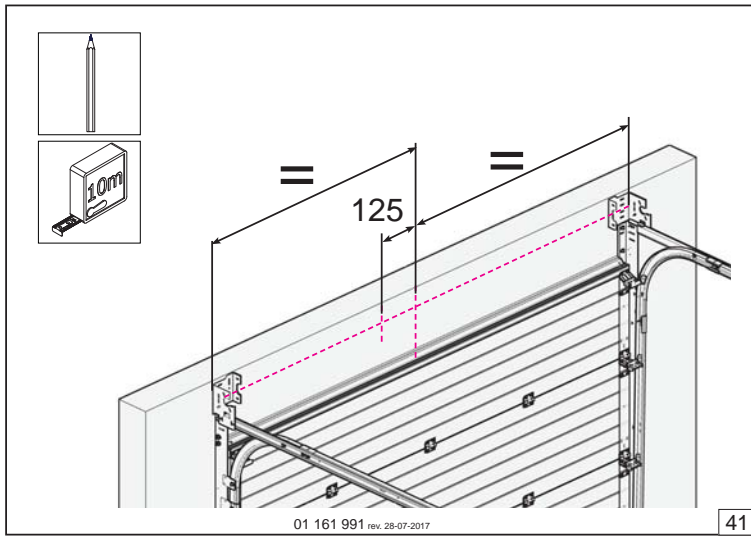
39



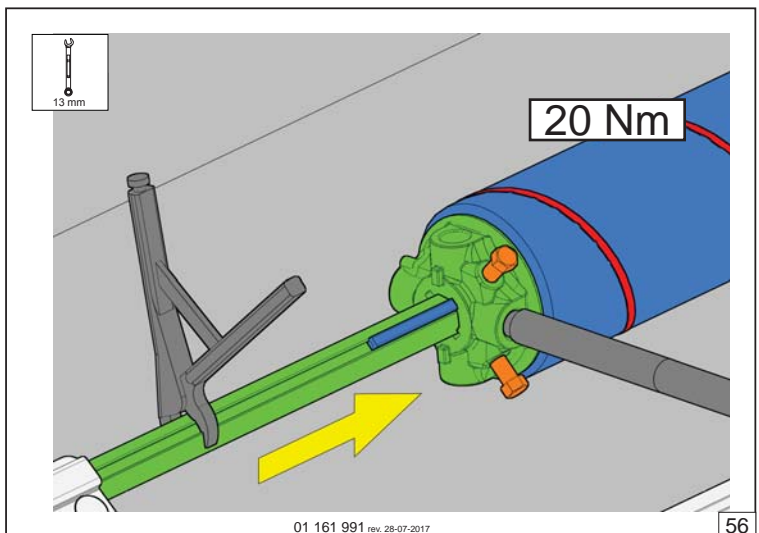
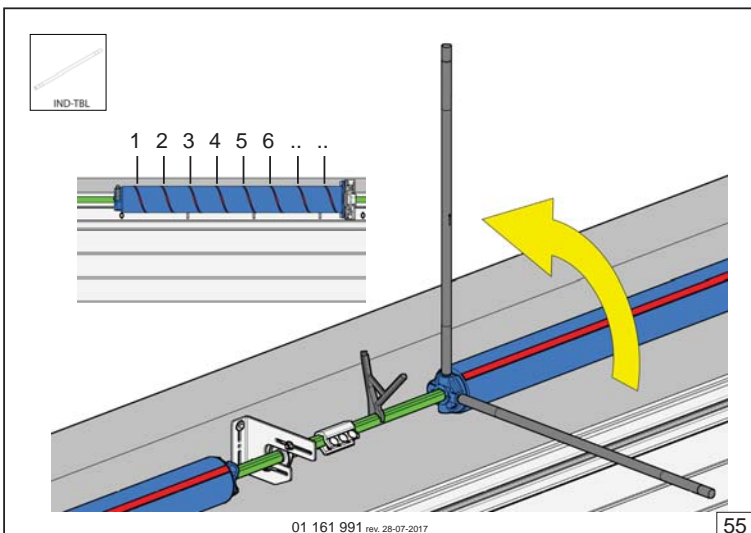
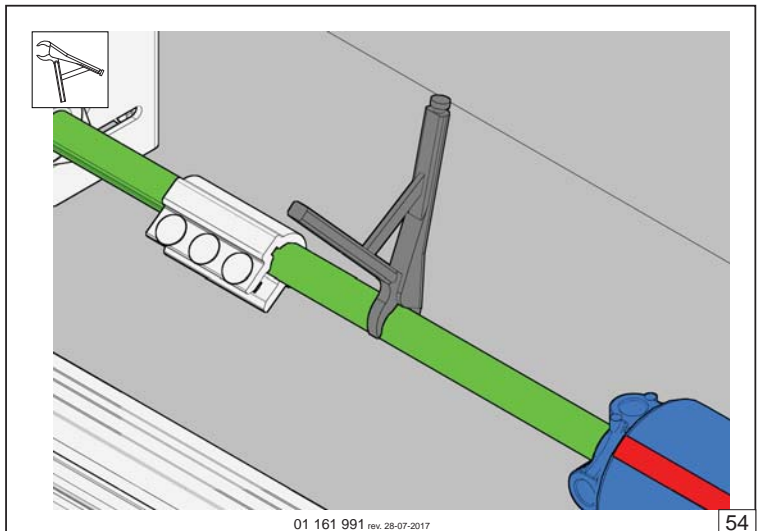
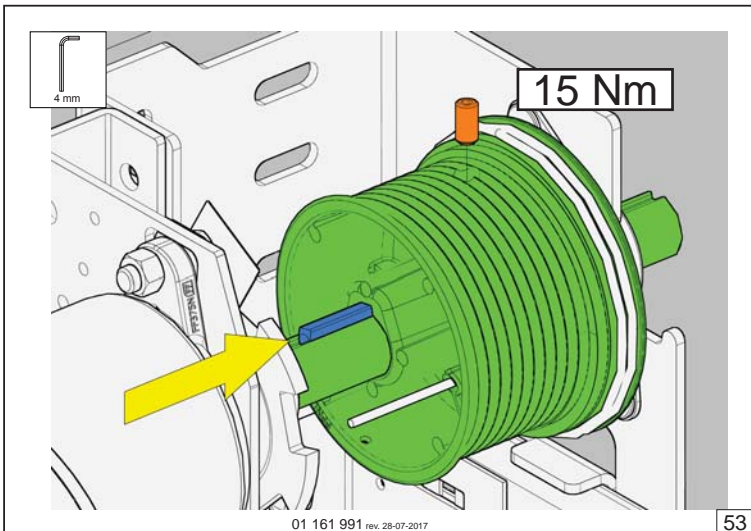
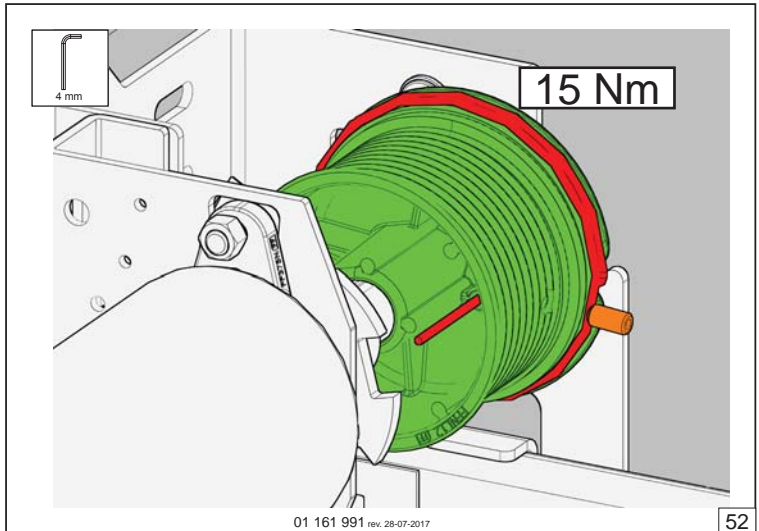
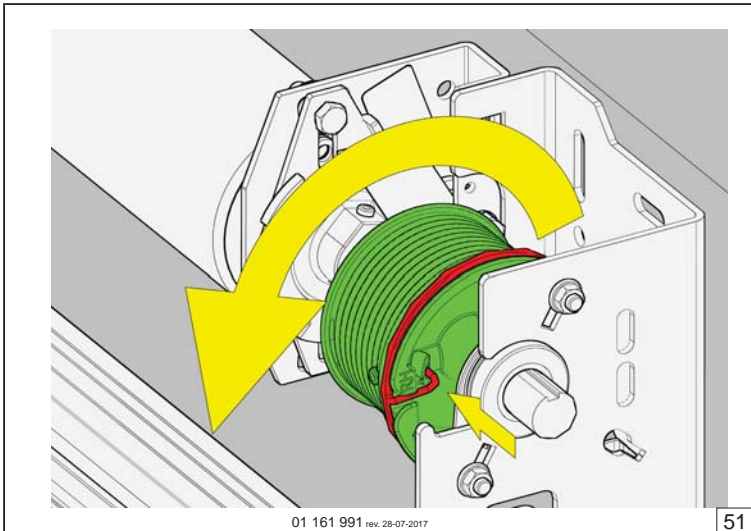
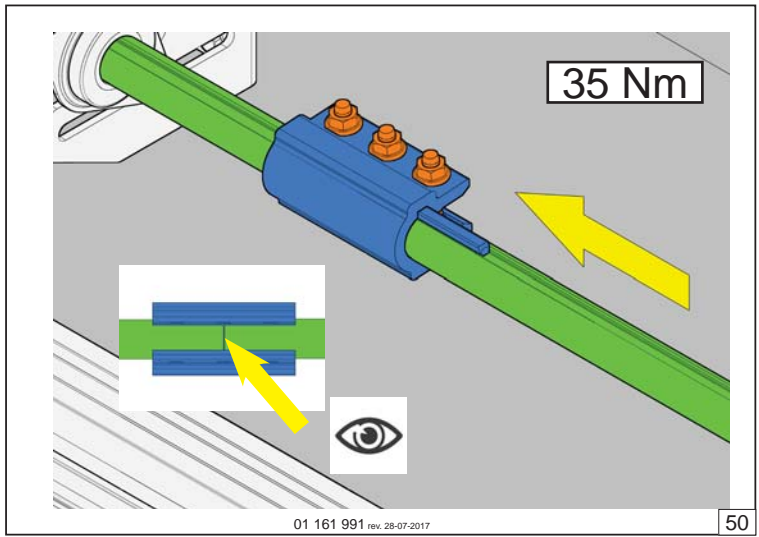
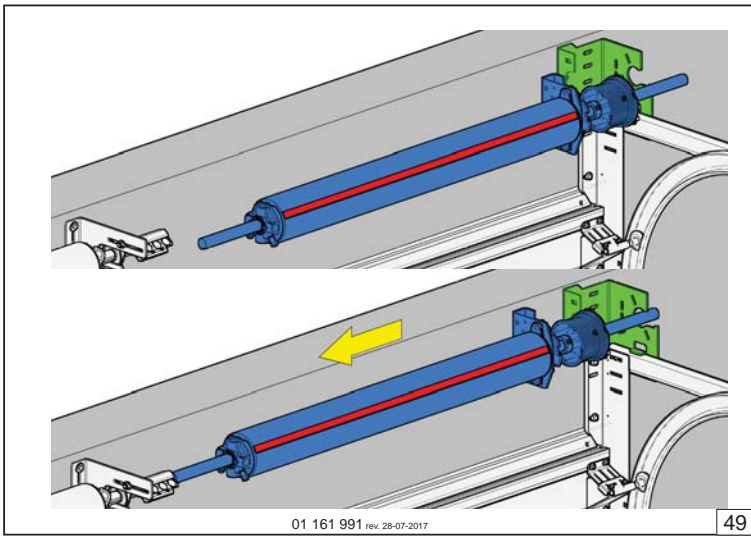
106D1-14

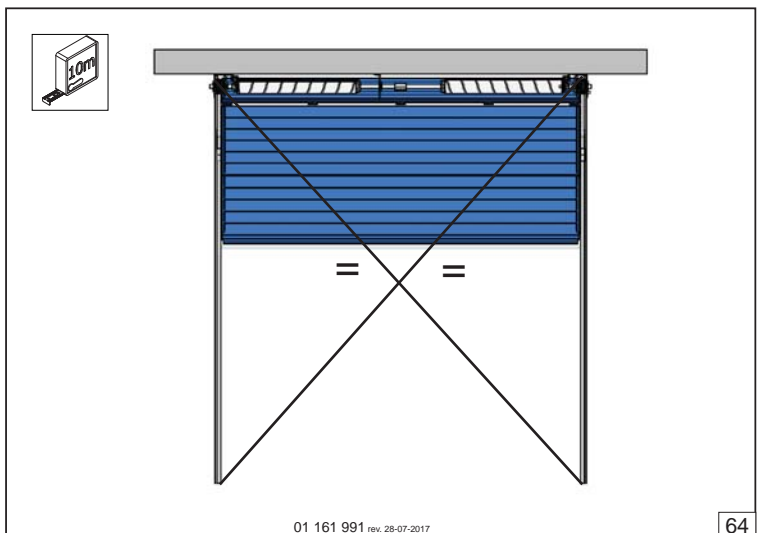
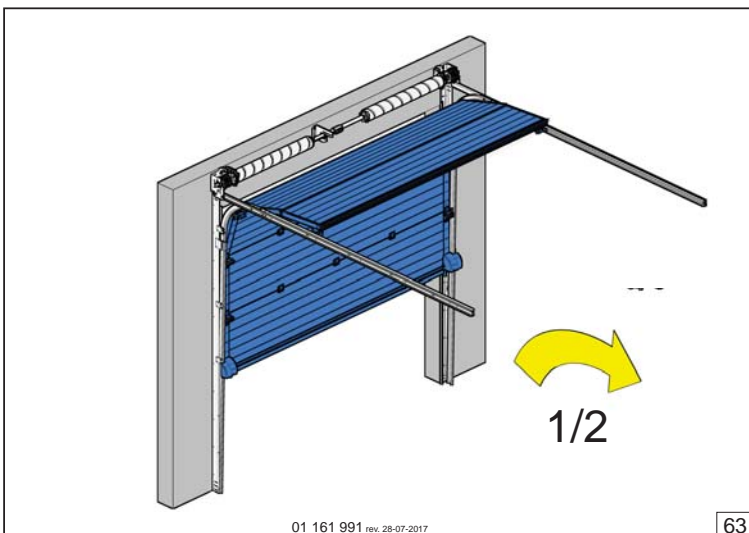
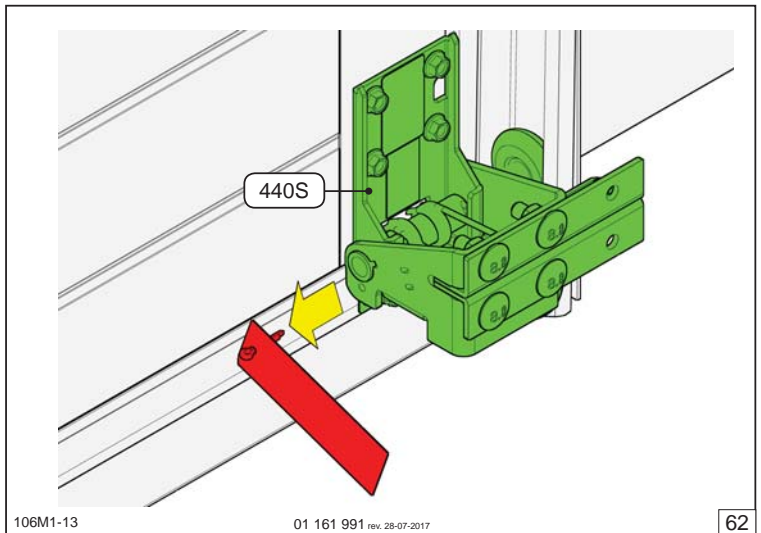
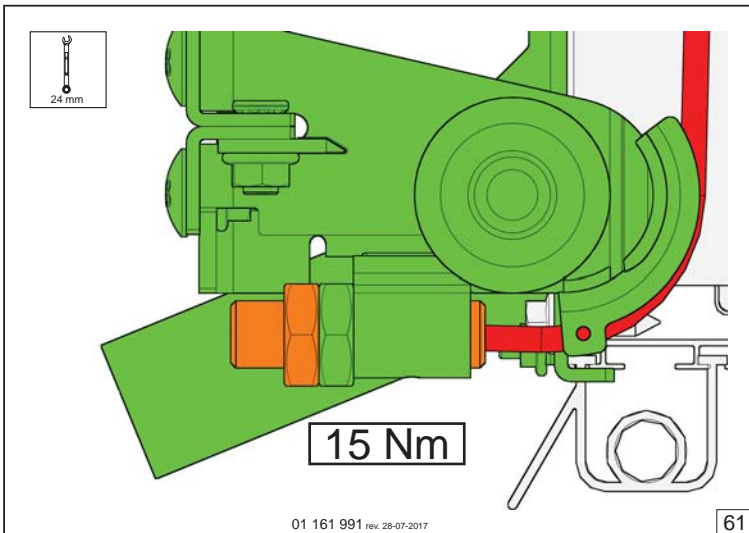
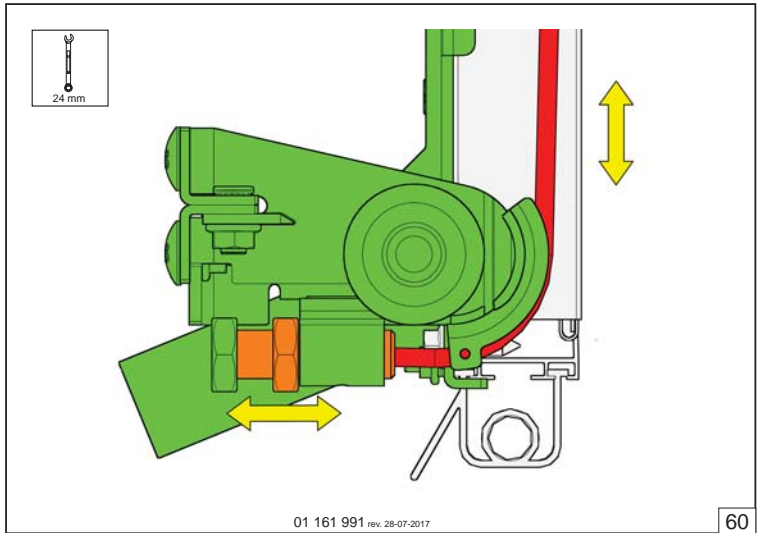
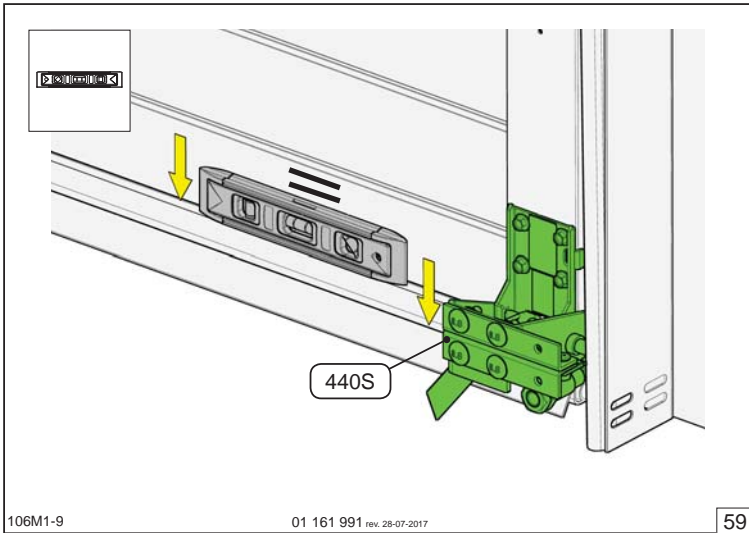
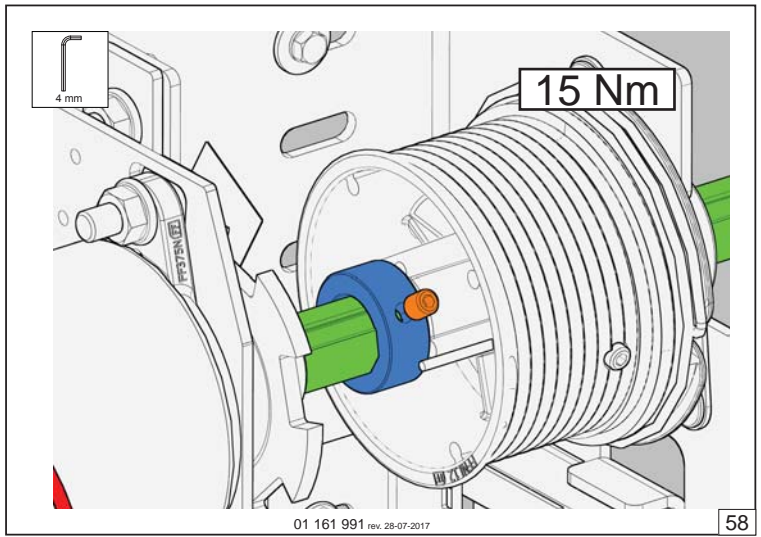
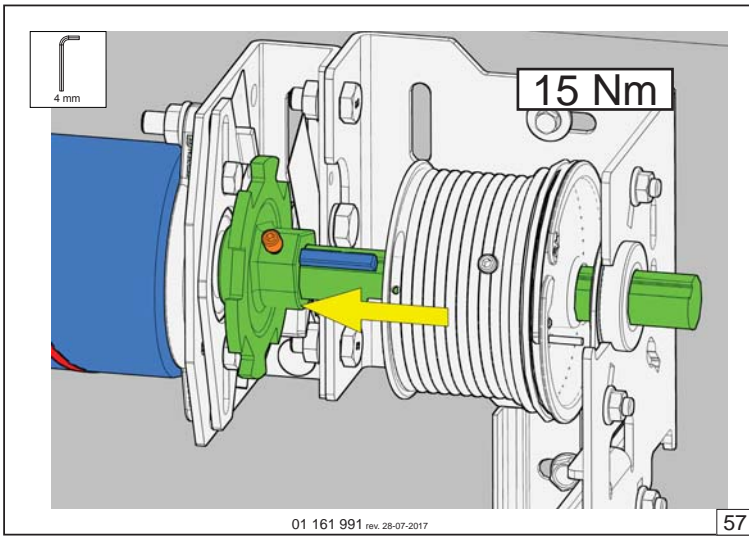
01 161 991 rev. 28-07-2017

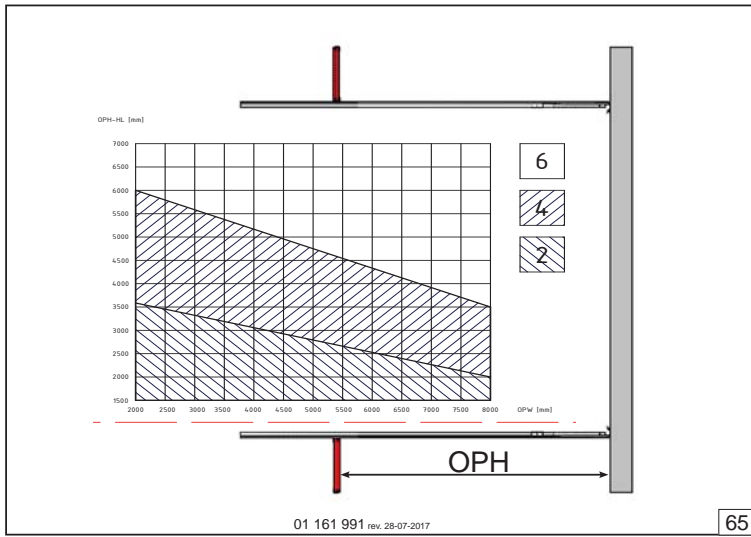
40



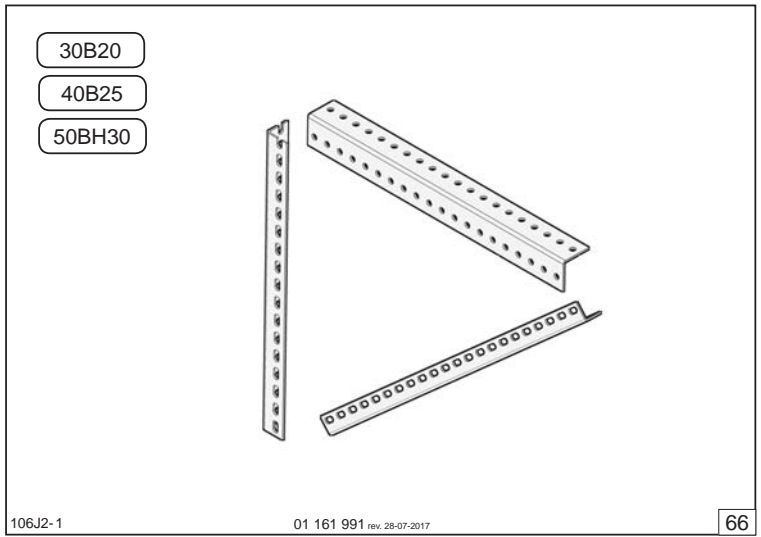




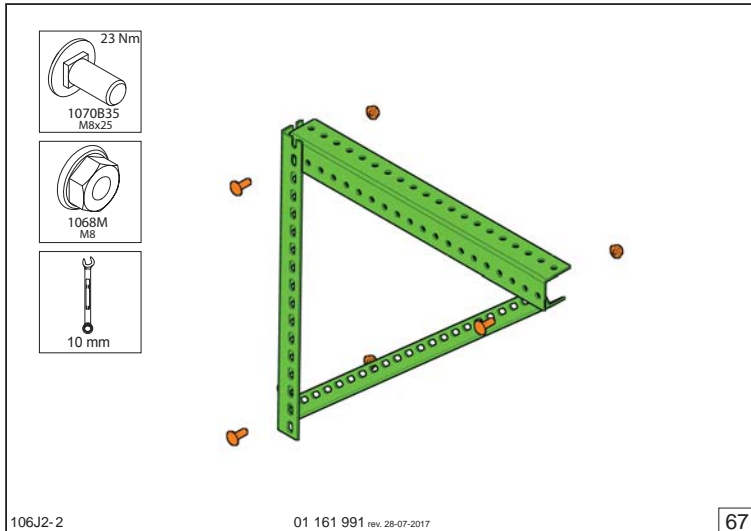




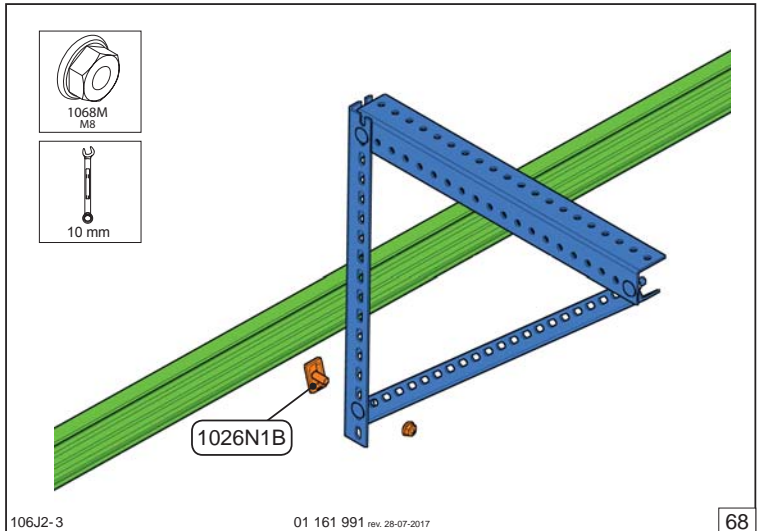
65



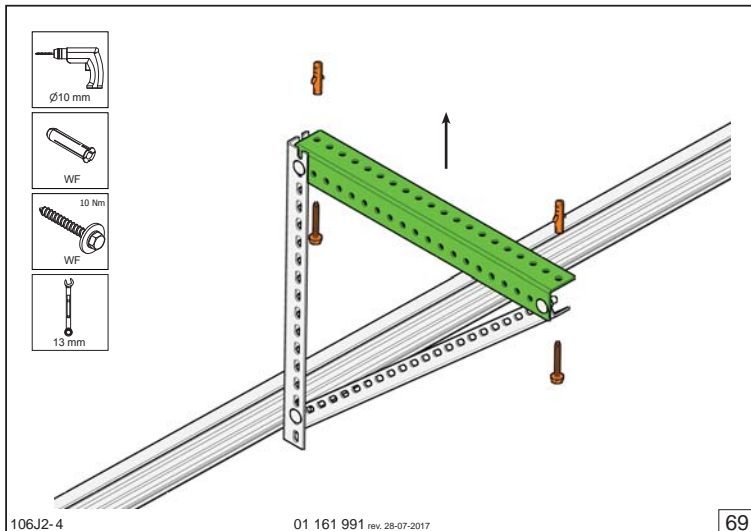
66



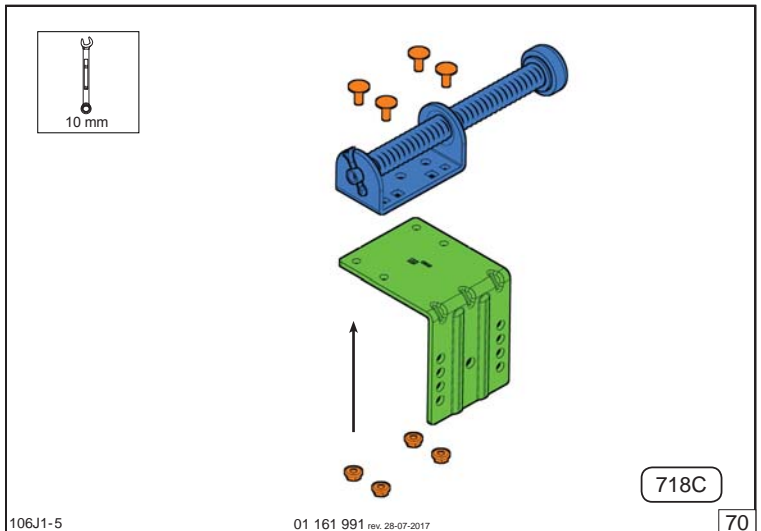
67



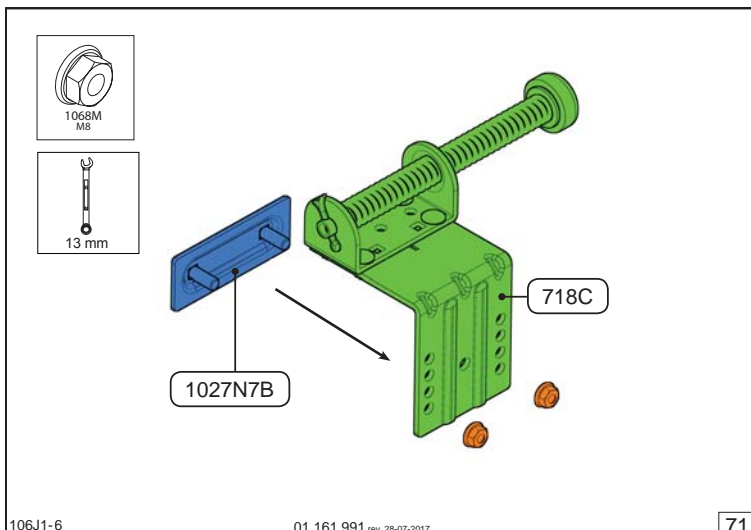
68



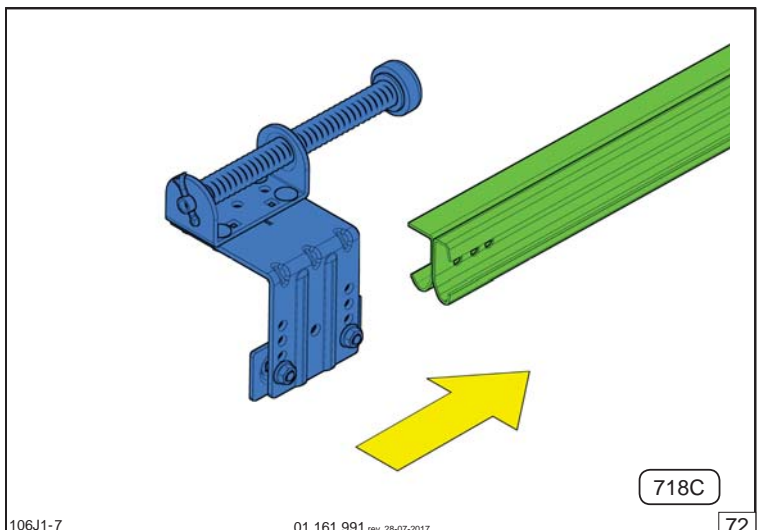
69



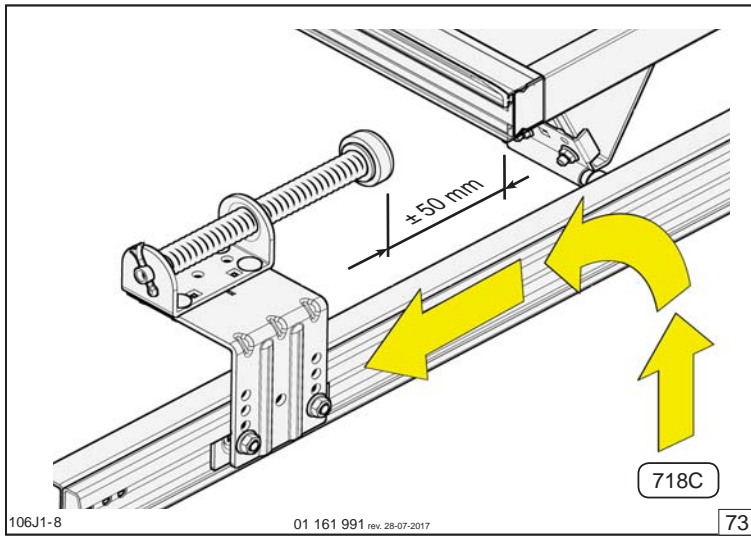
70



71



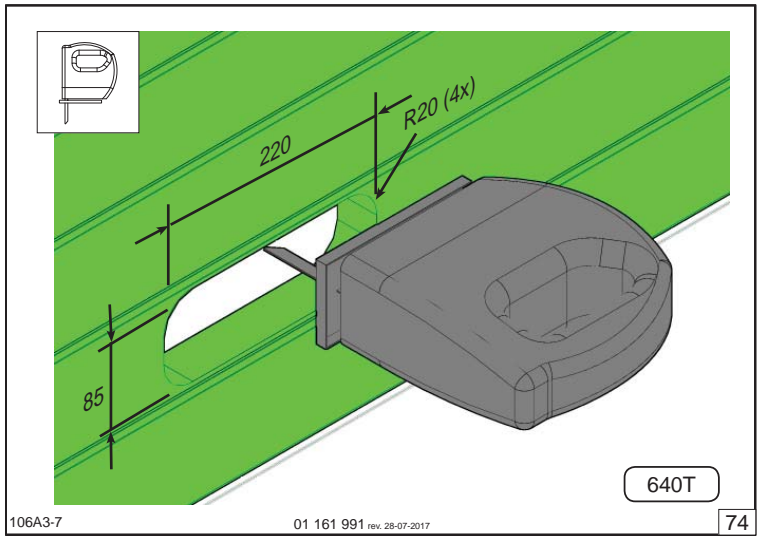
72



106J1-8

01 161 991 rev. 28-07-2017

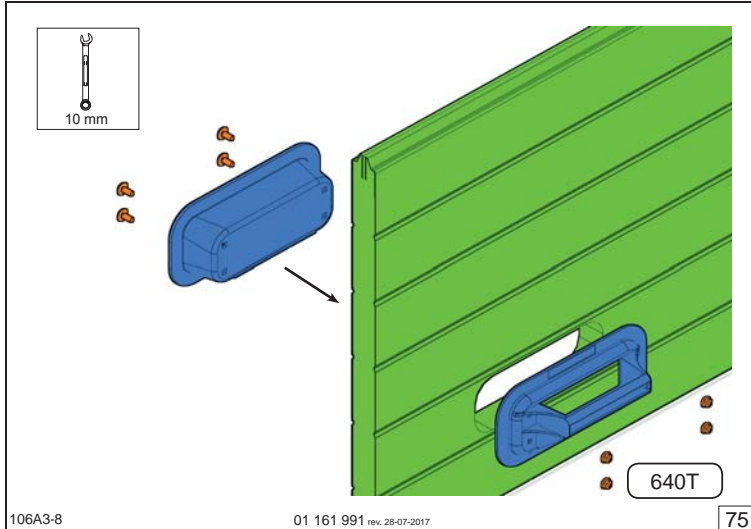
73



106A3-7

01 161 991 rev. 28-07-2017

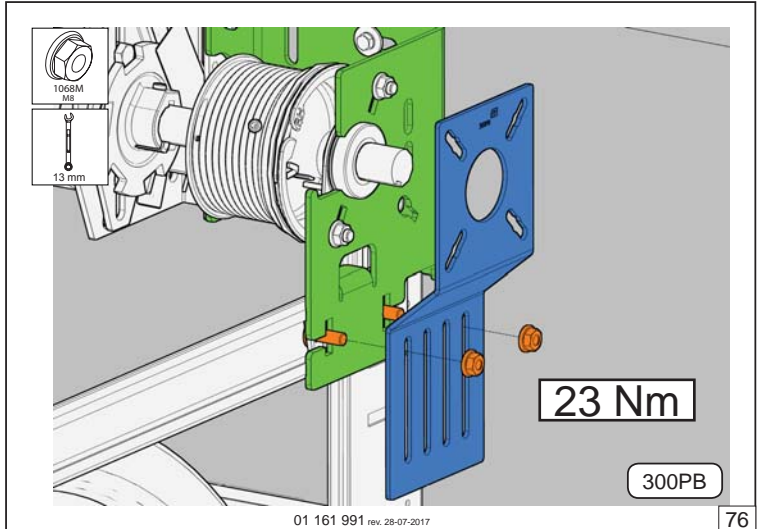
74



106A3-8

01 161 991 rev. 28-07-2017

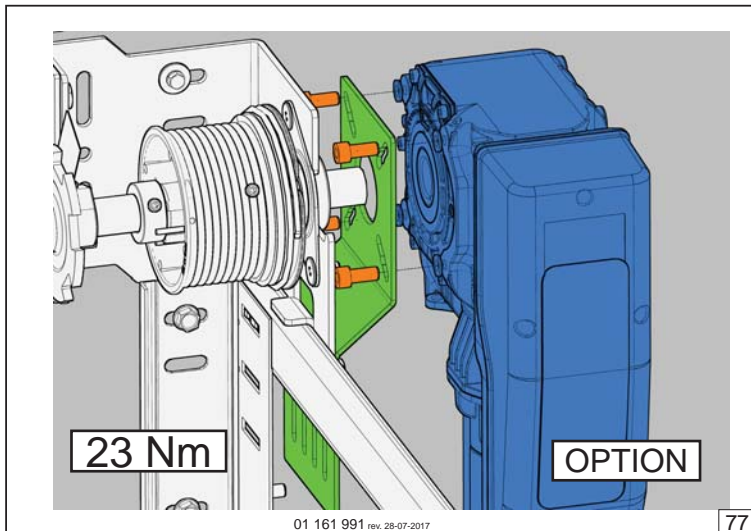
75



106A3-7

01 161 991 rev. 28-07-2017

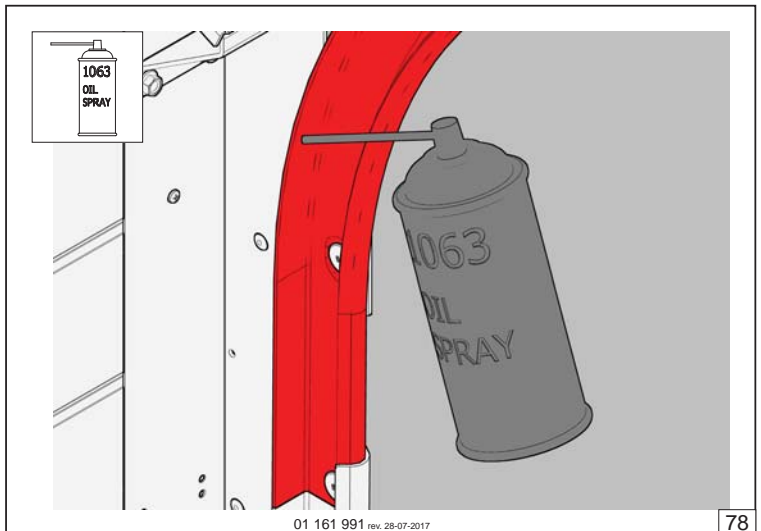
76



106A3-8

01 161 991 rev. 28-07-2017

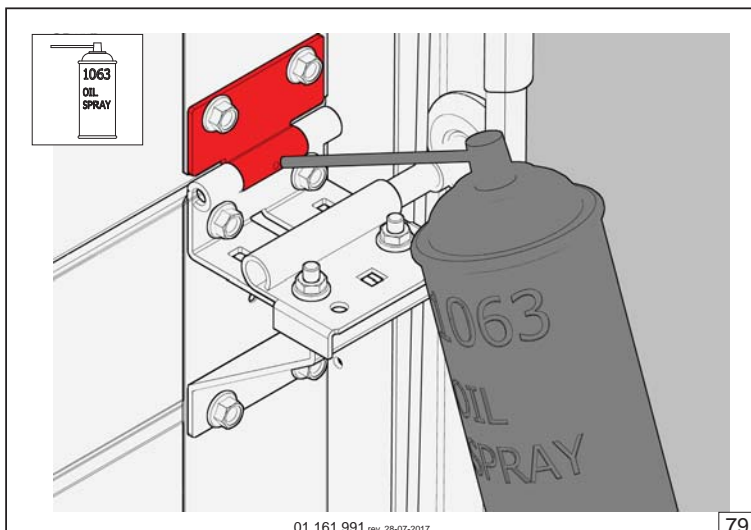
77



106A3-7

01 161 991 rev. 28-07-2017

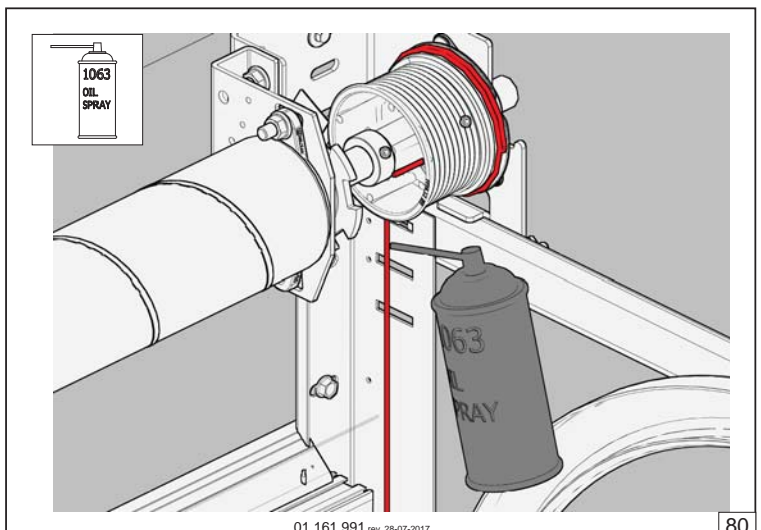
78



106A3-8

01 161 991 rev. 28-07-2017

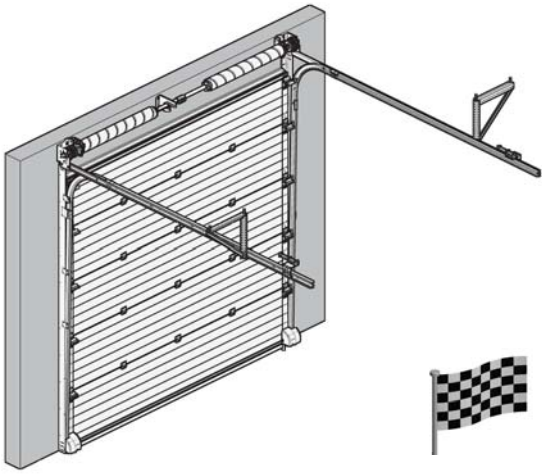
79



106A3-7

01 161 991 rev. 28-07-2017

80



01 161 991 rev. 28-07-2017